



YANMAR

COMPACT WHEELED EXCAVATOR

B95W



Operating weight	9 100 - 9 500 kg
Dig depth	4 080 mm
Engine power	74,4 kW (101 HP)
Bucket capacity	87 - 348 l
Digging force (bucket)	42,6 kN
Digging force (arm)	53,2 kN
Reach	7,6 - 8,1 m

The partner of your success



HIGH PERFORMANCE

The B95W is very efficient and can perform tasks reserved for machines with higher weight.

Thanks to its enormous lifting capacities and its precise hydraulic system, this 9 tons is capable of transporting and positioning particularly heavy loads on construction sites.

This machine has great advantages for the logistics of materials and is therefore very interesting in construction and especially for the road construction. Equipped with a grab bucket, it allows in horticulture to catch and to load trucks.



ENGINE

Due to the latest EU Stage IV / EPA Tier 4 Final engine generation, the B95W works economically and is environmentally friendly. The B95W is also equipped with an Eco Mode.



SMART CONTROL

Smart Control System increases efficiency. The driver determines the optimum excavator power for different applications. This minimizes losses of energy or time.



EASY MAINTENANCE

The main organs of the machine are accessible very quickly and safely. The wide opening of the covers enables fast daily checks.





COMFORTABLE CABINE

The ergonomically-designed cab provides the operator with an exceptionally comfortable environment that enables a high degree of productivity. From the neatly arranged, clearly structured displays through the generously dimensioned storage compartments to the Soft-Touch interior or the optional Klimatronik – one thing is clear: the workplace is designed for the operator.



EASY TO USE

The B95W is fitted with various equipment which enable precise, comfortable and productive control of the machine: Smart control, Fingertip control and multi-function joysticks offer optimal handling to the operator for a productive workday.



RELIABILITY OF POWERLINE

The components of the powerline are highly efficient and reliable: no need to choose between power and compactness. Yanmar customers can make heavy tasks of construction site in narrow spaces.

POWER AND EFFICIENCY

IMPROVED POWERLINE

THE ENGINE

The B95W is driven by a EU Stage IV / EPA Tier 4 Final engine. Exhaust gas after-treatment reduces emissions by up to 90%, including nitrogen oxides (NOx), hydrocarbons (HC) and fine dust. This is achieved through an improved combustion and injection system and a diesel oxidation catalyst (DOC). The engine does not need a particulate filter.

THE REVERSIBLE FAN

The hydraulically-driven reversible fan is temperature controlled. The cooling capacity automatically adjusts to the cooling requirement. The fan only runs when necessary. This saves fuel and conserves the material. The driver can switch the fan manually if required. The cleaning by reversal takes place either automatically or manually.

THE AUTOMATIC IDLING

The auto idling function (optional) saves fuel. If there is no activity, the engine switches to the idling position automatically – hence reducing the fuel consumption.

AUTOMATIC ENGINE SHUTDOWN

The switch-off time can be freely selected by the driver (optional).

FURTHER ADVANTAGES

- + Articulated joint with wide angle of articulation allows for working closely along walls.



HYDRAULICS SYSTEM WITH FOUR INDEPENDENT CIRCUITS

Thanks to the four independent hydraulic circuits, the B95W wheel excavator increases its capacity with attachment tools. The driver can operate a tilt rotator with a hydraulic quick-hitch system and a hydraulically-driven tool, such as a sorting grab, asphalt cutter or cutting unit, for example. The control circuits can be operated at the same time, they do not influence each other.



STABILITY

The laterally installed engine stabilizes the machine, especially with a fully extended, offset boom.

ARTICULATED JOINT

With wide angle of articulation allows for working closely along walls.

CYLINDERS

- + All cylinders have end position damping for low-vibration working.

PERFORMANCE

SPEED

A quick change of construction site or location is possible with speeds of up to 36 km/h. Non-productive transport times are reduced to a minimum.

FURTHER ADVANTAGES

- + Hydrostatic travel drive, independent of the working hydraulics – also functions as an additional brake system.
- + Automatic drive, additional accelerator pedal for delicate machine movements.



UNDERCARRIAGE

The undercarriage combines high terrain mobility with drive power. It can be configured as exactly required due to a wide range of equipment variants.

PENDULUM AXLE

Due to the pendulum axle with a pendulum angle of 11,5°, the wheeled excavator is absolutely stable even on uneven ground.

HYDROSTATIC TRAVEL DRIVE

- + Independent from working hydraulics.
- + Also functions as an additional brake system.

STEERING

Can be equipped with two-wheel steering. Four-wheel steering is optional available.

LEVELING

The optional float function of the dozer blade makes leveling of the ground, the filling processes or cleaning of the construction site easier.



EASE OF USE

SMART CONTROL

Smart Control is an operating system for compact wheel excavators with new engines in the EU Stage IV / EPA Tier 4 Interim and Final class. It has never been easier to match a construction machine precisely to the driver and application. Numerous controls have also been redesigned and rearranged for quicker operation and improved machine monitoring.

What this means for you:

- + Intuitive operation that is easy to set for each individual driver.
- + 1st, 2nd and 3rd electric proportional hydraulic control circuit for operating work attachments.
- + New display design to enable easy machine monitoring
- + Keypad with extra-large keys for easy operation

PRECISE FINGERTIP CONTROL

The fingertip control allows the operator to regulate the oil flow with real precision, all the way from «zero» to «full».

The electrical proportional activation of hydraulic functions is simple thanks to a thumbwheel on the joystick. A lot of attention has been paid to an outstanding ergonomomy to improve operator comfort.



EXEMPLARY MACHINE CONTROL

- + **Hydraulic control circuits**
Allow fast operation. The flow rate of the control circuits is also adjusted proportionally during continuous operation via a bar chart according to use and attachment tool.
- + **Eco mode** is switched on with just the touch of a button
- + **Air conditioning control**
Heating and defrosting can be adjusted exactly to the required conditions, automatic air conditioning is optional.



OPERATOR STATION

Designed with driver comfort and productivity in mind, the cabs feature noise and vibration damping and are ROPS/FOPS- approved.

DISPLAY AND INSTRUMENTS

For a clearer overview and greater convenience – work functions and machine information can be examined at a central position in a glance. The data display appears in a tiled look like a smart phone.

The anti-reflective screen with a 7" diagonal is very clearly arranged and is also used as a monitor for the standard reversing camera.

THE KEYPAD

Extra-wide pressure surface make safe operation easy, even when wearing gloves. The optional immobilizer can be operated.

FURTHER ADVANTAGES

+ Optional heated mirrors are available.



MAINTENANCE

EASY ACCESS

A servicebar with the central electrics is integrated in the service compartment: Hence, all relays and fuses are easy to access from the ground. The flap can be opened without tools.

For easier ascent, the ladder in the service flap is extended towards the ground. The flap is provided with rubber buffers, it lies gently on the extended ladder, the materials is conserved.

There are no main hydraulic components mounted under the cab. Tilting of the cab is not required – but possible if necessary.



DIAGNOSTIC PLUG

The diagnostic plug for engine and machine data speeds up maintenance and service through better communication between man and machine.

«Can bus» data are shown on the display.



Battery main switch.



Refueling with a jerry can.

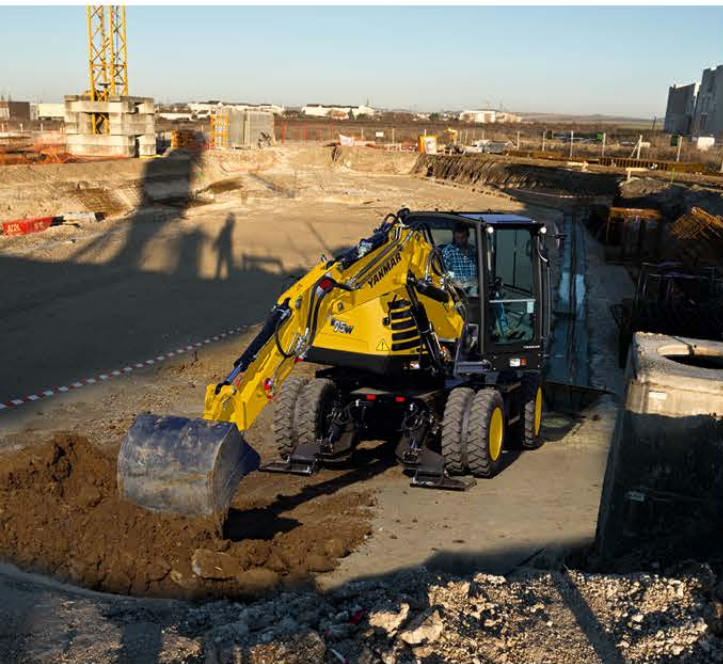
TAILORED FOR YOUR JOB

TIRE OPTIONS

Low-pressure tires and twin or wide tires are available.

UNDERCARRIAGE

- + Stabilizers
- + Support plate
- + Front dozer blade





BOOM OPTIONS

Yanmar provides the right boom system for different applications. The excavation work is carried out in an optimum manner, quickly achieving the required result.

- + TPA boom, with standard dipperstick 2 000 mm and long dipperstick 2 200 mm.
- + Circular boom, with dipperstick 1 650 mm
- + Monobloc boom, offset boom 850 mm, with dipperstick 2 000 mm

STANDARD ARTICULATED BOOM

The standard TPA booms are suitable for high-performance digging work, transport and precise positioning of heavy loads – the action radius is designed for the greatest possible working range.

LONG DIPPERSTICK

The B95W wheel excavator can achieve an even greater reach on the articulated boom due to an extended dipperstick with 2 200 mm.

CIRCULAR BOOM

The circular boom, with its small working envelope, is suitable for construction sites where space is limited.

THE ATTACHMENT TOOLS

Excellent versatility thanks to numerous options and attachment tools. Tested and proven in use:

- + Light-material bucket
- + Standard bucket
- + Ditch-cleaning bucket
- + Swing bucket
- + Hydraulic cutting units
- + Ripper tooth
- + Adapter for rock breaker
- + Loading hook
- + Screw-on loading hook
- + Mechanical quick-hitch system
- + Hydraulic quick-hitch system
- + Pallet forks

DIMENSIONS

Fig. 1:
Excavation within the entire width of the machine

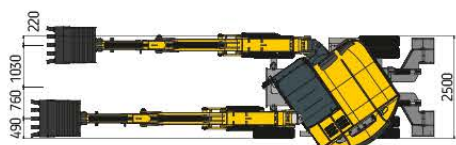


Fig. 2:
Working envelope

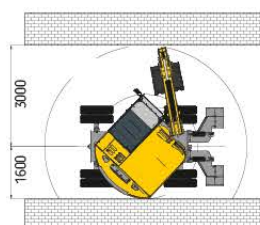
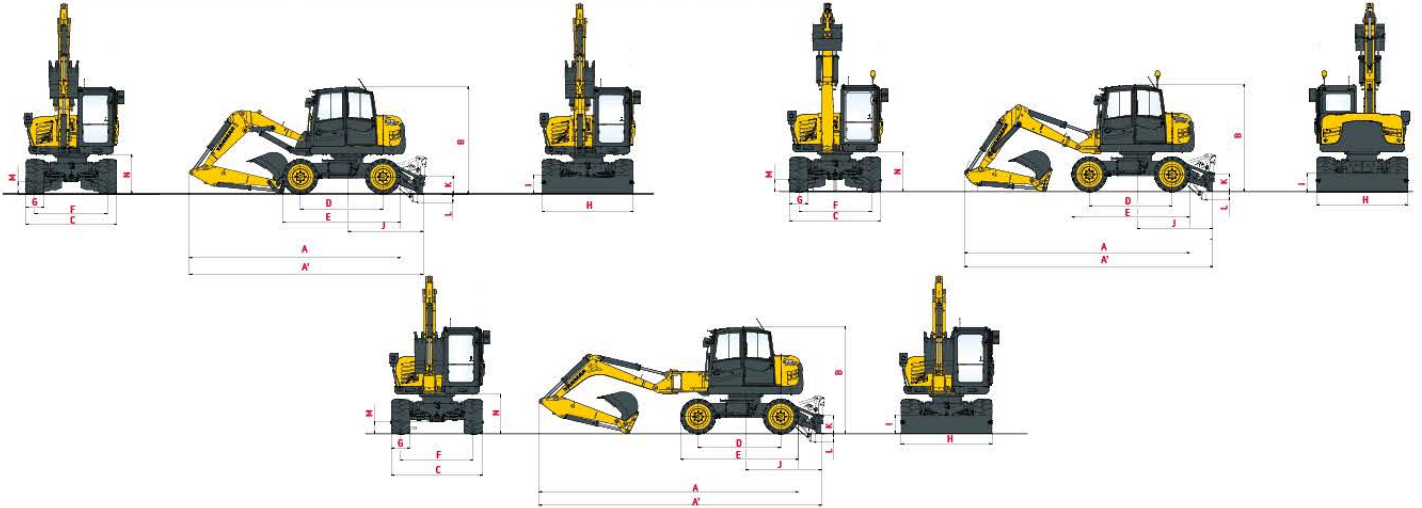


Fig. 3:
Transport position

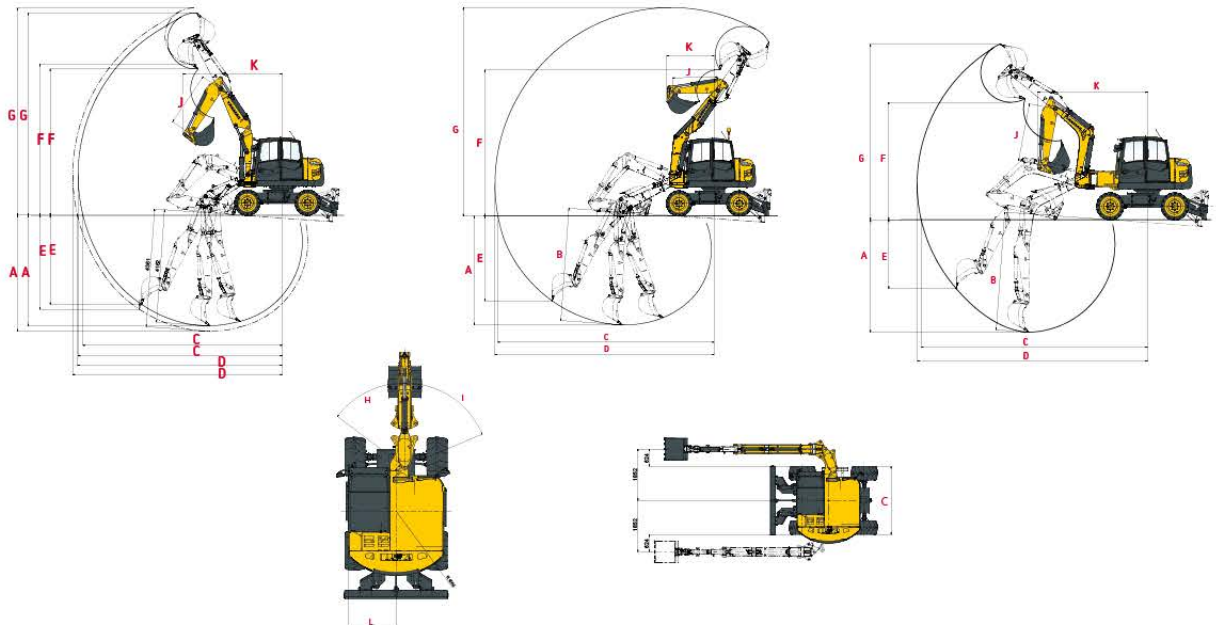


DIMENSIONS

DIMENSIONS TPA, CIRCULAR, MONOBLOC BOOMS



	TPA Boom	Circular Boom	Monobloc Boom		TPA Boom	Circular Boom	Monobloc Boom
A Overall length	5 700 mm	6 070 mm	7 000 mm	H Overall blade width	2 460 mm	2 460 mm	2 460 mm
A' Overall length with blade at the back	6 320 mm	6 700 mm	7 630 mm	I Overall blade height	500 mm	500 mm	500 mm
B Overall height	2 900 mm	2 900 mm	2 900 mm	J Blade distance	2 030 mm	2 030 mm	2 030 mm
C Overall width	2 460 mm	2 460 mm	2 460 mm	K Max. blade height above the ground	485 mm	485 mm	485 mm
D Wheel base	2 240 mm	2 240 mm	2 240 mm	L Max. blade depth	230 mm	230 mm	230 mm
E Undercarriage length	3 180 mm	3 180 mm	3 180 mm	M Minimum ground clearance	320 mm	320 mm	320 mm
F Lane	1 960 mm	1 960 mm	1 960 mm	N Ground clearance under counterweight	1 060 mm	1 060 mm	1 060 mm
G Tire width	496 mm	496 mm	496 mm				



	TPA Boom	Circular Boom	Monobloc Boom		TPA Boom	Circular Boom	Monobloc Boom
A Max. digging depth - Blade lifted	4 100 / *4 300 mm	4 030 mm	3 890 mm	G Max. cutting height	7 500 / *7 660 mm	7 700 mm	6 070 mm
B Max. digging depth - Blade lowered	4 160 / *4 360 mm	4 160 mm	4 080 mm	H Boom swinging base to left	53°	53°	53°
C Max. digging reach on ground	7 370 / *7 550 mm	7 990 mm	7 820 mm	I Boom swinging base to right	67°	67°	67°
D Max. digging reach	7 570 / *7 740 mm	8 100 mm	7 960 mm	J Arm length	2 000 / *2 200 mm	1 650 mm	2 000 mm
E Max vertical wall	3 300 / *3 470 mm	3 140 mm	2 980 mm	K Front turning radius	3 670 mm	1 740 mm	3 790 mm
F Max. dumping height	5 410 / *5 580 mm	5 400 mm	4 060 mm	L Rear turning radius	1 550 mm	1 550 mm	1 550 mm

*TPA Boom with dipperstick 2 350 mm

LIFTING CAPACITIES



Blade down



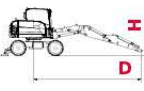
Blade up



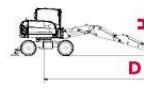
Tipping load, rating over front



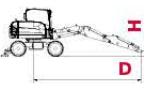
Tipping load, rating over side 90°



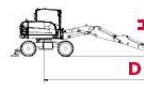
		TPA BOOM with dipperstick 2000 mm										
		D										
		3 m		4 m		5 m		6 m		7 m.		
H	3,0 m	--	--	2,6	2,3	1,7	1,6	1,5	1,0	--	--	
	1,5 m		--	--	2,2	2,2	1,6	1,6	1,0	1,0	--	--
			4,1	3,5	2,6	2,3	2,1	1,6	1,5	1,0	--	--
	0,0 m		3,4	3,3	2,2	2,2	1,3	1,5	0,9	1,0	--	--
		4,5	2,7	2,7	1,8	2	1,3	1,5	0,9	--	--	
-1,0 m		2,6	2,6	1,7	1,7	1,2	1,2	0,9	0,9	--	--	
		4,7	2,7	2,9	1,7	2	1,2	--	--	--	--	
		2,6	2,6	1,6	1,7	1,2	1,2	--	--	--	--	



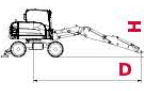
		TPA BOOM with dipperstick 2000 mm, additional counterweight										
		D										
		3 m		4 m		5 m		6 m		Max.		
H	3,0 m	--	--	2,6	2,4	1,8	1,7	1,5	1,1	--	--	
	1,5 m		--	--	2,4	2,3	1,7	1,7	1,1	1,1	--	--
			4,2	3,7	2,6	2,3	2,1	1,7	1,6	1,1	--	--
	0,0 m		3,6	3,7	2,3	2,3	1,7	1,6	1,1	1,1	--	--
		4,7	2,9	2,8	1,9	2,1	1,4	1,6	1,0	--	--	
-1,0 m		2,8	2,9	1,8	1,9	1,3	1,4	1,0	1,0	--	--	
		4,8	2,9	3,0	1,9	2,1	1,4	--	--	--	--	
		2,8	2,8	1,8	1,9	1,3	1,4	--	--	--	--	



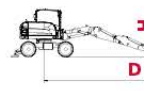
		TPA BOOM with dipperstick 2200 mm										
		D										
		3 m		4 m		5 m		6 m		Max.		
H	3,0 m	--	--	2,4	2,0	1,8	1,7	1,4	1,1	1,4	0,9	
	1,5 m		--	--	2,1	1,9	1,5	1,6	0,9	1,0	0,8	0,8
			4,2	3,5	2,6	2,3	1,6	1,6	1,5	1,0	1,3	0,8
	0,0 m		3,1	3,3	2,1	2,2	1,5	1,6	0,9	1,0	0,7	0,8
		4,5	2,8	2,8	1,8	2,1	1,3	1,6	1,0	1,2	0,8	
-1,0 m		2,5	2,6	1,6	1,7	1,2	1,2	0,9	0,9	0,7	0,8	
		4,8	2,7	3	1,8	2,2	1,3	1,3	1	1,1	1,1	
		2,5	2,6	1,6	1,7	1,2	1,2	0,9	0,9	0,8	0,9	




		TPA BOOM with dipperstick 2200 mm, additional counterweight										
		D										
		3 m		4 m		5 m		6 m		Max.		
H	3,0 m	--	--	2,4	2,4	1,8	1,8	1,9	1,2	--	--	
	1,5 m		--	--	2,2	2,4	1,7	1,8	1,1	1,1	--	--
			4,2	3,9	2,6	2,5	2,2	1,8	2,0	1,2	--	--
	0,0 m		3,5	3,7	2,3	2,5	1,7	1,7	1,1	1,1	--	--
		4,3	3,1	2,6	2,1	2,0	1,5	1,6	1,1	--	--	
-1,0 m		2,9	3,0	1,9	2,0	1,4	1,4	1,0	1,1	--	--	
		4,6	2,9	2,9	1,9	2,1	1,5	1,2	1,3	--	--	
		2,8	2,9	1,9	1,9	1,4	1,4	1,1	1,3	--	--	




		Circular Boom										
		D										
		3 m		4 m		5 m		6 m		Max.		
H	3,0 m	4,4	3,8	2,5	2,5	1,7	1,7	1,7	1,0	1,3	0,8	
	1,5 m		3,3	3,6	2,2	2,3	1,3	1,6	0,9	1,1	0,7	0,7
			4,8	3,1	2,8	2	2,1	1,4	1,6	1,0	0,8	0,8
	0,0 m		2,7	2,9	1,8	1,9	1,2	1,3	0,9	0,9	0,6	0,7
		5,3	2,7	3,3	1,8	2,2	1,3	1,5	1,0	0,5	0,6	
-1,0 m		2,3	2,4	1,5	1,7	1,1	1,2	0,8	0,9	0,5	0,6	
		4,4	2,6	2,9	1,8	1,6	1,3	1,1	1,1	0,3	0,4	
		2,3	2,4	1,5	1,6	1,1	1,2	0,9	0,9	0,3	0,4	



		Circular Boom										
		D										
		3 m		4 m		5 m		6 m		Max.		
H	3,0 m	4,2	4,1	2,5	2,7	1,7	1,6	1,7	1,1	1,3	0,9	
	1,5 m		3,7	3,9	2,4	2,5	1,6	1,6	1,0	1,1	0,8	0,8
			4,8	3,3	2,6	2,1	2,1	1,5	1,7	1,1	0,9	0,6
	0,0 m		2,9	3,1	1,9	2,1	1,4	1,5	1,0	1,1	0,7	0,6
		5,1	2,8	3,2	1,9	2,2	1,4	1,5	1,0	0,4	0,4	
-1,0 m		2,5	2,7	1,7	1,8	1,3	1,3	0,9	1,0	0,4	0,4	
		4,3	2,8	2,8	1,8	1,9	1,4	1	1,2	0,3	0,3	
		2,4	2,7	1,7	1,8	1,2	1,3	1	1,1	0,3	0,3	



		Monobloc offset boom										
		D										
		3 m		4 m		5 m		6 m		Max.		
H	3,0 m	--	--	--	--	--	--	1,7	1,1	1,9	0,9	
	1,5 m		--	--	--	--	--	--	0,9	1,0	0,7	0,8
			--	--	4,4	1,9	3,0	1,3	2,3	1,0	1,8	0,8
	0,0 m		--	--	1,6	1,8	1,1	1,2	0,9	0,9	0,7	0,7
		--	--	5,3	1,7	3,2	1,3	2,3	0,9	1,7	0,8	
-1,0 m		--	--	1,4	1,5	1,1	1,2	0,8	0,9	0,7	0,6	
		--	2,4	4,4	1,6	2,8	1,2	1,9	0,9	1,6	0,8	
		2,2	2,3	1,4	1,5	1,1	1,1	0,8	0,9	0,8	0,8	



		Monobloc offset boom, additional counterweight										
		D										
		3 m		4 m		5 m		6 m		Max.		
H	3,0 m	--	--	--	--	--	--	1,9	1,1	1,9	1,0	
	1,5 m		--	--	--	--	--	--	1,0	1,1	0,8	0,9
			--	--	4,4	2,0	2,9	1,5	2,3	1,1	1,8	0,9
	0,0 m		--	--	1,8	1,9	1,3	1,4	1,0	0,8	0,8	0,8
		--	--	5,3	1,9	3,2	1,3	2,3	1,1	1,7	0,9	
-1,0 m		--	--	1,7	1,7	1,2	1,3	0,9	1,0	0,8	0,8	
		--	2,9	4,3	1,8	2,8	1,4	1,9	1,1	1,6	1,0	
		2,4	2,5	1,6	1,7	1,2	1,3	0,9	1,0	0,9	0,9	

All values in tons (t) were determined acc. to ISO 10567 and include a stability factor of 1.33 or 87% of the hydraulic lifting capacity. All values were determined with load hook. If a bucket is attached, the difference weights bucket minus load hook must be deducted from the permissible payloads. When used for load hook applications, excavators must be equipped with hose-rupture valves and overload warning device in compliance with EN 474-5. Working equipment: Two-piece articulated boom, twin tires, dipperstick 2000 mm.



SPECIFICATIONS

[WEIGHT]

Operating weight (monobloc, TPA boom, circular boom) acc. to ISO 6016.	9 100 - 9 300 - 9 500 kg
Tread width.	1 960 mm
Wheelbase.	2 240 mm
Ground clearance below cardan shaft.	440 mm
Turning radius.	6 700 mm
Uppercarriage tailswing.	1 550 mm
Uppercarriage frontswing (monobloc, TPA, circular boom).	2 960 mm
Working envelope 180°.	4 510 mm
Working envelope 360° (monobloc, TPA, circular boom).	6 090 - 5 920 - 3 340 mm

[ENGINE]

Manufacturer, model.	Deutz, TCD3.6 L4
Type.	4-cylinder Turbo diesel engine with intercooler - EU Stage IV / TIER 4 final
Combustion.	4-stroke cycle, Common Rail injection
Displacement.	3 600 cm ³
Net power rating at 2000 rpm (ISO 9249).	74,4 kW (101 HP)
Torque.	410 Nm at 1 600 rpm
Cooling system.	Water

[HYDRAULIC SYSTEM]

Travel hydraulics: Closed circuit, independent from working hydraulics.	
Pump capacity, max.	112 l/min
Working pressure, max.	420 bar
Working hydraulics: Axial-piston variable displacement pump with load sensing, coupled with a load independent flow sharing (LUDV). Simultaneous, independent control of all movements. Sensitive maneuvers irrespective of loads.	
Max. pump capacity.	max. 142 l/min
Working pressure, max.	280 bar
The thermostatically controlled oil circuit ensures that the oil temperature is promptly reached and avoids overheating. Hydraulically driven fan with reversing function. Return filter installed in oil tank allows for eco-friendly replacement of filter elements.	
Triple gear pump for all positioning, swing movements and hydrostatic fan.	
Pump capacity, max.	38 + 38 + 38 l/min
Working pressure, max.	250 bar
Control circuit for work attachments, proportionally operated.	
Pump capacity, adjustable.	0 - 120 l/min
Working pressure, max.	280 bar
Two servo-assisted joystick controls (ISO) for excavator operations.	

[TRANSMISSION]

Hydrostatic travel drive in closed circuit with automatic adjustment of drawbar pull and speed irrespective of the working hydraulics.			
4-wheel drive from reduction gear on front axle via cardan shaft to rear axle. Infinitely variable speed control forward and reverse.			
2 speed ranges:	"Low"	0-6 km/h	4 speed ranges (high-speed version optional):
	"High"	0-20 km/h	"Low"
			"High"
			0-5 / 0-15 km/h
			0-11 / 0-36 km

EQUIPMENT

[STANDARD EQUIPMENT]

CABINE

Spacious, sound-insulated full-vision steel cab (ROPS certified). Sliding window in cab door.
Safety glass windows, thermo windows tinted in green. Skylight thermos window, bronze tinted.
Panoramic rear window.
Front window supported by pneumatic springs, lockable for ventilation and slidable under cab roof. Windshield washer system. Storage compartment.
Preparation for radio installation. Left-hand outside rear-view mirror.
Cab heating with windshield defroster through coolant heat exchanger with continuous fan. Fresh air and recirculating air filters.
Rearview camera.
Operator's seat MSG 85 (comfort version), hydraulic damping, extra-high backrest, tilt-adjustable armrests, longitudinal-horizontal suspension, mechanical lumbar support. Lap belt.
Instrument panel on the right hand side of the operator's seat with visual & acoustic warning device, hour-meter and safety module.
Working floodlights Halogen H-3.
Sound power level (LWA) 100 dB (A).
Sound pressure level (LpA) 72 dB (A).
Sound level values measured in compliance with Directive 2000/14/EC and EN474.
Effective values of acceleration for whole body less than 0.5 m/s ² .
Effective values of acceleration for hand-arm less than 2.5 m/s ² .
Vibration values in compliance with Directive 2006/42/EC and EN474.

AXLES

Front : Oscillating planetary drive axle, oscillating angle.	11,5°
Rear: Rigid planetary drive axle.	

STEERING

Fully hydraulically controlled front axle with integrated steering cylinder.	
Max. steering angle.	32°

SWING SYSTEM

Hydrostatic drive with 2-stage planetary gear and axial piston fixed displacement motor, also acts as wear-resistant brake. In addition, automatically controlled spring-loaded multi-disc brake acting as parking brake.	
Swing speed.	0-10 rpm

KNICKMATIK®

Lateral parallel adjustment of boom arrangement at full dig depth.	
Angle of articulation / lateral adjustment left.	53° / 870 mm
Angle of articulation / lateral adjustment right.	67° / 990 mm

ELECTRICAL SYSTEM

Nominal voltage.	12V
Battery.	12V / 135 Ah
Generator.	14V / 95 Ah
Starter.	112V / 4,0 kW

FLUID CAPACITIES

Fuel tank.	160 l
AdBlue tank.	10 l
Hydraulic system (incl. Tank 60 l).	175 l

BRAKES

Service brake: Hydraulic pump accumulator two-circuit brake, acting on oil-immersed multi-disc brakes of front and rear axle.
Excavator brake: Acting on front and rear axle due to lockable service brake.
Auxiliary brake: Hydrostatic travel drive in closed circuit acting as non-wearing auxiliary brake.
Parking brake: Hydraulic spring-loaded brake, electrically actuated.

TIRES

Standard 8.25-20, 12 PR twin tires.

MAINTENANCE FREQUENCY

Change engine oil and filter:	500h or minimum once a year.
Change fuel filter:	1 000h or minimum once a year
Change hydraulic oil:	check at 100 + 500h; every 1 000h or minimum every 2 years.
Change hydraulic oil filter:	first after 100h, then follow the instructions at display.
Change cooling fluid:	if needed or minimum every 2 years.

[OPTIONAL EQUIPMENT]

BOOM OPTIONS

TPA boom, with dipperstick 2200 mm | Circular boom, with dipperstick 1650 mm | Monobloc boom, offset boom 850 mm, with dipperstick 2000 mm.

TIRES

365/70 R 18 MPT E-70 Conti (single tires) | 500/45-20 (single wide tires).

HYDRAULIC SYSTEM

Hydraulic installation for quick-hitch system | Biodegradable hydraulic oil / ester-based HLP 68 (Panolin) | Float position - dozer blade | Fingertip control incl. second additional control circuit on left joystick | Fingertip control incl. third additional control circuit on left joystick | Switchover from ISO controls to SAE controls | Bucket control change-over (in case of forklift operation) | Hose-rupture / load-retaining valves for bucket | Bypass filter.

OPERATOR'S STAND

Operator's seat MSG 95 (premium version), air damping, extra-high backrest and tilt-adjustable armrests, longitudinalhorizontal suspension, seat and backrest heating, pneumatic lumbar support | Klimatronic | Thermoelectric cooler box.

ENGINE

Diesel particulate filter (DPF) | Automatic idling system.

CABINE

Lighting package : 1 double beam working floodlight - cab-mounted rear center, 1 working floodlight cab-mounted - front right | FOPS - skylight guard | Sliding window on right-hand side | Yellow beacon | Radio set installation kit.

OPTIONAL SUPPORT / DOZER SYSTEMS

Rear support blade, 2460 mm wide (with twin and wide tires) | Rear support blade, 2290 mm wide (with single tires) | Outrigger plates, flat, oscillating | Outrigger plates, rubber-coated, oscillating | Front dozer blade, 2460 mm wide (twin tires) or 2290 mm wide (single tires).

OTHER OPTIONAL EQUIPMENT

Four-wheel steering switchable from four-wheel to crab steering | Steering change-over in case of blade operation | Working floodlight boom-mounted, left or right | Working floodlight, LED-type | Quick-hitch system, mechanical, type MS08 | Quick-hitch system, hydraulic, type HS08 | Anti-theft device (immobilizer) | Approval package for high-speed version | Additional tool box | Engine-independent diesel heater with fresh air circulation and timer | Additional rear weight, 365 kg.

[WORK ATTACHMENTS]

BUCKETS

Bucket, QAS, light material, without teeth 300 mm wide, capacity 87 l | Bucket, QAS, light material, without teeth 400 mm wide, capacity 127 l | Bucket, QAS, light material, without teeth 600 mm wide, capacity 212 l | Bucket, QAS 300 mm wide, capacity 87 l | Bucket, QAS 400 mm wide, capacity 127 l | Bucket, QAS 500 mm wide, capacity 169 l | Bucket, QAS 600 mm wide, capacity 212 l | Bucket, QAS 800 mm wide, capacity 303 l | Bucket, QAS 900 mm wide, capacity 348 l | Ditch-cleaning bucket, QAS 1250 mm wide, capacity 251 l | Ditch-cleaning bucket, QAS 1500 mm wide, capacity 305 l | Swing bucket, QAS 1500 mm wide, capacity 305.

OTHER WORK ATTACHMENTS

Ripper tooth / QAS (1 tooth) | Auger | Hydraulic hammer | Quick-hitch adapter for hydraulic hammer | Rototilt R3 | Bolt-on loading hook for bucket rod | Fork carrier, 1240 mm wide | Forks, 1100 mm long, 100 x 45 mm | Further work attachments available on request.



YANMAR



Yanmar Construction Equipment Europe
25, rue de la Tambourine, 52100 SAINT-DIZIER
France

ycee-contact@yanmar.com

www.yanmarconstruction.eu

Printed in France - Materials and specifications are subject to change from the manufacturer without notice - Please contact your local Yanmar Construction Equipment Europe dealer for further information.

GB_B95W_0118