

METRAC

MUNICIPAL



Metrac X-series.

**The top product for
municipal applications.**

REFORM 

TECHNOLOGY AT ITS BEST



REFORM Metrac

The allrounder for municipal applications.

The REFORM Metrac is a municipal services two axle mower designed for extreme slopes and difficult terrain. It is distinguished by cutting edge technology and highest efficiency. With its outstanding versatility, the Metrac is ready to roll in all working situations and provides unique working convenience.

REFORM Metrac have been built since 1965.

The benefits at a glance:

- Powerful, thrifty 4 cylinder diesel engines
- Multi function lever for highest operating comfort*
- Pre-selectable differential locks with 100% locking efficiency
- Switchable 4 wheel drive
- Depending on the area of use: Mechanical gearbox or hydrostatic drive
- 4 steering modes: 4 wheel steering, front, rear and crab steering
- Low dead weight and low centre of gravity
- Slope capable, soil protecting low pressure tyres
- Permanent ground contact of all 4 wheels through oscillating front axle (central joint)
- Hydrostatic steering
- 2 full attachment areas with powerful linkages
- Weight compensation and vibration damping*
- Power shift PTO
- Axle guided, trailing front linkage

*not in G3 / G3 X



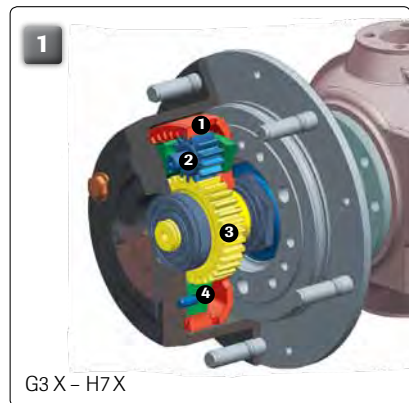
The Experts in Action!



Cutting edge technology and safety.

The Reform Metrac Chassis.

Two axle mowers are designed as automotive tool carriers for safe working and soil protection in all areas. The tried and tested Reform Metrac chassis consists of the front and the rear carriage which are connected by a central pivoting link. On this robust chassis, a wide range of attachments can be mounted such as a flail mower, snow blower, snow plough, road sweeper and many more.



Robust driving/steering axles with **planet gear final drives** deliver high pulling force and protect the drive train. The drive shafts are exposed to lower forces, therefore they can be built in a lighter design.

- 1 Internal gear
- 2 Planet gear
- 3 Internal sun gear
- 4 Planet gear carrier

2 Centre joint and oscillating axle

Between the oscillating front axle and the rear axle, the pivoting centre joint ensures constant ground contact of all 4 wheels and guarantees safe driving in any situation. You get full power transmission and optimal soil protection also in rough terrain.

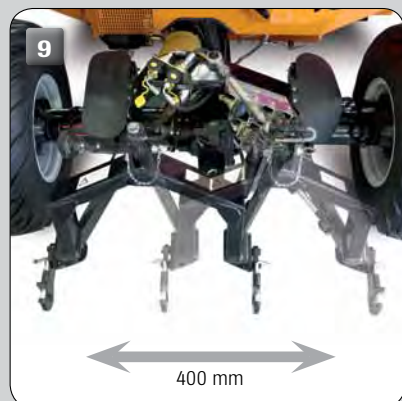
3 The large size **single disc dry clutch** for the drive in the G models and the PTO drive in the H models ensures full power transmission and long service life. The PTO drive of the G models is switched electro hydraulically via a multi disc clutch (G3 manually).

4 Mechanical transfer gear with PTO clutch

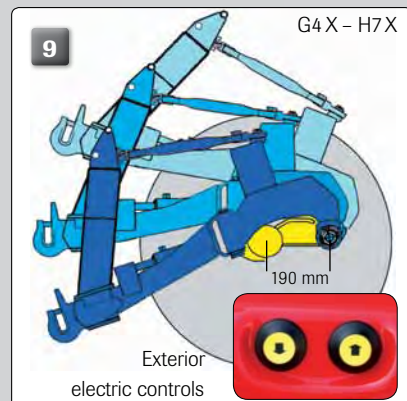
The drive goes from the engine via the clutch to the mechanical transfer gear and from there to the front and rear PTOs. In the G models, the force flows from the mechanical transfer gear via a cardan shaft to the speed change gearbox.



Hydraulic lateral displacement



Rotating angle front linkage

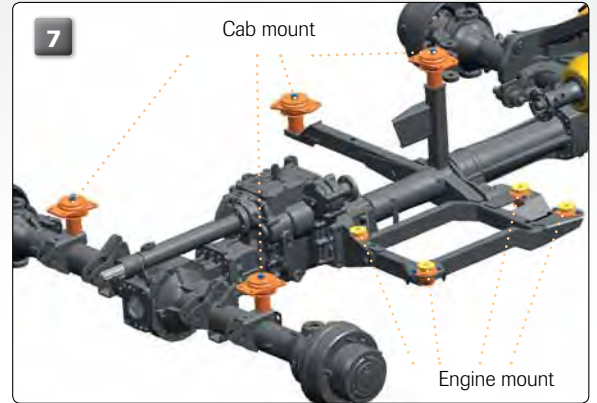


The strong, axle guided **front linkage (9)** provides best contour following through pivot points that are located far behind the front axle. The standard hydraulic (G3 / G3 X) or electro hydraulic weight compensation provides higher traction and better climbing capability combined with best contour following and soil protection. Lateral side shift: Even better slope capability by displacing the centre of gravity. facilitates working close to obstacles and makes mounting of attachments easier.

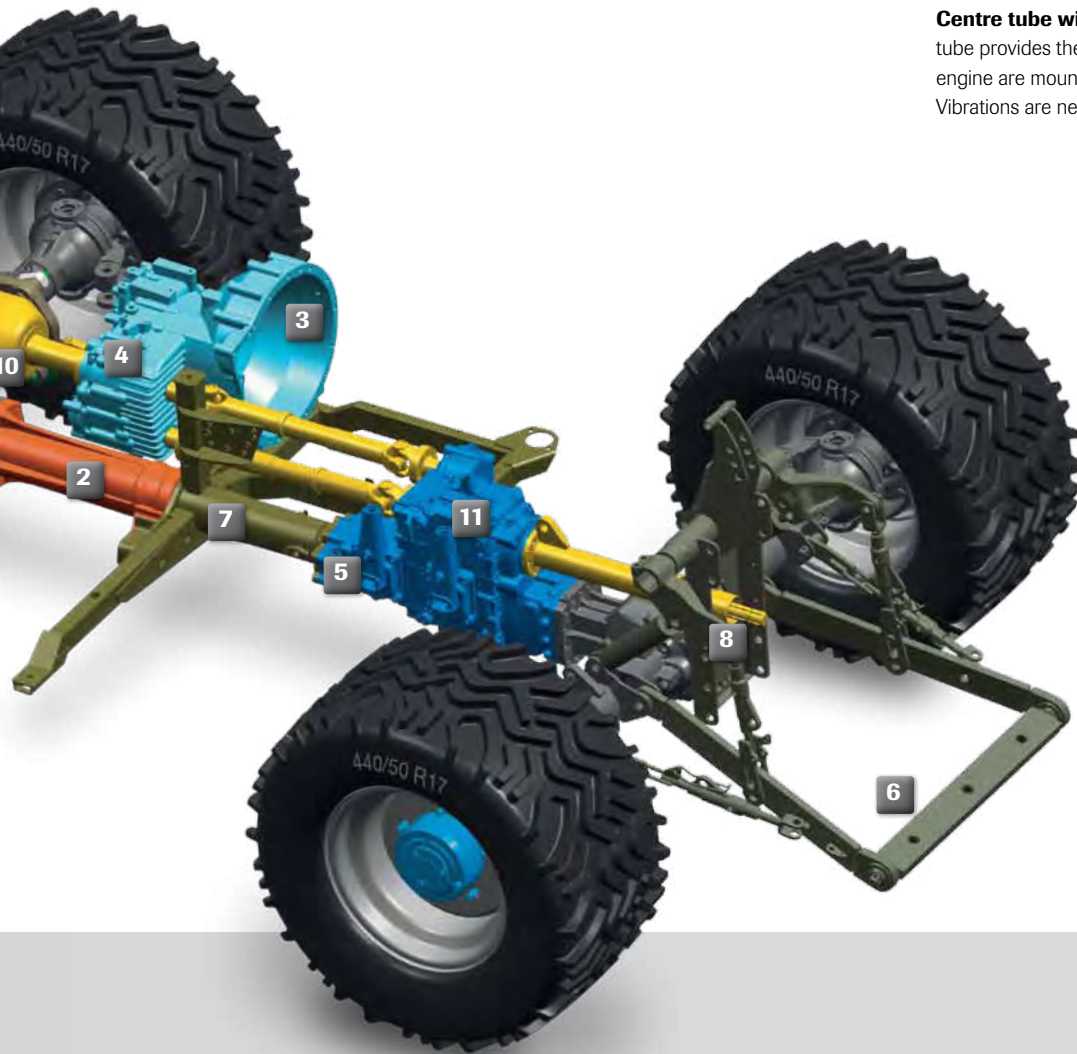
In the G models, the **PTO (10)** is driven via a multi disc clutch, and via a single disc dry clutch in the hydrostat models. The high efficiency of the electro hydraulically (not in G3 / G3 X) power shiftable PTO with 540 rpm facilitates the efficient use of attachments.

5 The **four wheel drive** (front drive switchable) facilitates maximum power transmission to the ground by optimal distribution of the driving force to both axles. With 4 wheel steering activated, the front and rear wheels run exactly in the same track, ensuring absolutely tension free traction of all 4 wheels.

6 The robust **3 point rear linkage** (option) is equipped with double acting cylinders (G3 / G3 X also single acting). The high lifting forces also permits the use of heavy attachments. A particularly helpful feature for mounting attachments conveniently and fast is, as in the front linkage, the standard exterior electric control of the linkages (not in G3 / G3 X). Optional the lower links can be with hook ends.



Centre tube with engine mount and cab mount. The centre tube provides the robust link between front and rear axle. Cab and engine are mounted on 4 rubber mounts each to dampen vibration. Vibrations are neutralised at their very source.



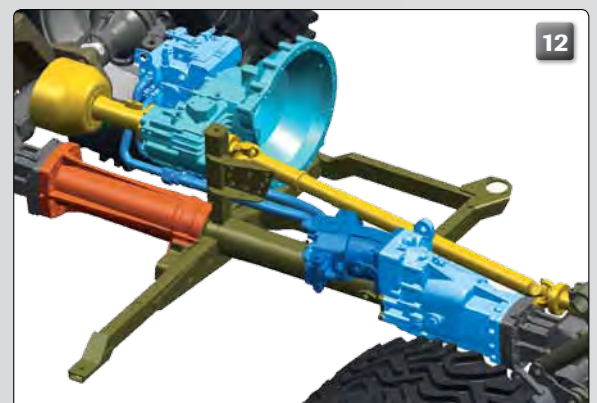
8 The **rear PTO** is electro hydraulically switchable and ensures the soft starting of attachments due to the soft start system (does not apply to G3 / G3 X: rear gearbox PTO).

Use the full power with the **mechanic speed change gearbox (11)** in the Metrac G-series. The synchronised shuttle gearbox ensures exact and safe gear change in any situation. G4 X – G7 X optionally with creep speed group.

Hydrostatic drive (12) with variable pump and variable motor in the two axle mowers of the H series – this comfort is with a capital C. The hydrostatic drive with 4 speed ranges provides continuous adaptation of the drive speed to the various working conditions and allows for soft, smooth starting also on slopes. The permanent transmission of power generates additional safety on slopes.

Large tank (not shown)

The large polyethylene tank holds enough fuel for a whole working day without refilling.



12

REFORM Metrac

2 full attachment areas for a wide range of attachments.

The chassis of the Reform two axle mowers is designed for mounting attachments both in front and in the rear.

Thus two full attachment areas for a large number of implements are available.

The robust linkages with standard mounting points facilitate quick mounting and removing of attachments such as flail mower, snow blower, dump bucket, and many more, making the system a versatile and universal tool.

1 Front linkage with front PTO

Flail mower, sickle mower, front-end loader, snow blower, snow plough, road brush, etc.

2 Rear linkage with rear PTO, trailer hitch

Dump bucket, trailer, extension arm boom flail mower, rear spreader, etc.



For a wide range of everyday requirements.





- 1 Front end loader
- 2 e.g. rear weight



1 Road brush



2 Dump bucket



1 Rotary mower



1 Flail mower



1 Extension arm boom flail mower



1 Snow blower



- 1 Rotary mower
- 2 Drive unit

Metrac in action all year round.

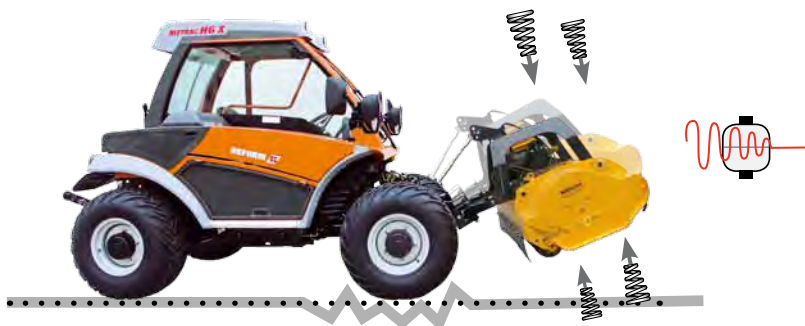


Protecting man and machine

REFORM weight transfer and vibration damping.



The tool follows the ground contours without changing the weight compensation pressure.



The impact load is minimised by gas pressure accumulators.

Electro hydraulic weight compensation – in G4 X – H7 X

The front linkage with electro hydraulic weight transfer allows the driver to control the ground pressure of front attachments conveniently from the cab. The hydraulic system transfers a large part of the attachment's ground pressure to the front wheels using a specified, adjustable residual pressure in the hydraulic cylinders. The mower virtually hovers above the ground, requiring less pushing force and engine power, gets increased climbing capability and traction, and goes easy on the turf.



The **digital display** shows the set compensation pressure that you pre select with the push of a button. The electronic system controls the recharging of the accumulators, ensuring that the selected compensation pressure is maintained.

Hydraulic vibration damping (optional / standard)*

All vibrations caused by heavy attachments during fast driving are neutralised, minimising impact load. This means more comfort and safety, and less wear during work for your Metrac including attachment. The switchable vibration damping (also called vibration absorption) is available for the front linkage and/or the rear linkage.



Gas pressure accumulators absorb large part of the vibrations that occur during driving with heavy attachments, especially in road driving.

*see technical specification

Your benefits at a glance:

Electro hydraulic weight compensation:

- Increased climbing and slope capability.
- More traction through weight transfer to the front axle.
- Constant weight compensation for optimal ground following and protection.
- Great convenience by easy, straightforward operation.
- Weight compensation pressure pre-selectable via buttons.
- Setting range from 6 to 120 bar (1 bar increments or quick sweep).
- Permanent desired/actual comparison of the set and the actual compensation pressure.
- An indicator light in the dashboard signals when the weight compensation is active.
- Protection of the hydraulic system and the machine.
- Switchable to the rear linkage (option).

Hydraulic vibration damping:

- Provides smooth driving also with heavy attachments.
- Comfortable driving with low machine wear.
- Reduces vibration build up in the vehicle during fast road travel with mounted attachment.
- Greatly increased driving comfort in road traffic.
- Easier travel to and from the work area.
- Forces caused by sudden jolts, which are transferred to the axle by the top and lower links, are reduced.
- Damping of vibrations transferred from the ground to an attachment.
- Vibrations caused by uneven ground are absorbed.
- Damping effect also in the cab.
- The vibration damping feature is switchable.

REFORM Metrac

The smart 4 wheel steering system!

Manoeuvrability with 4 wheel steering

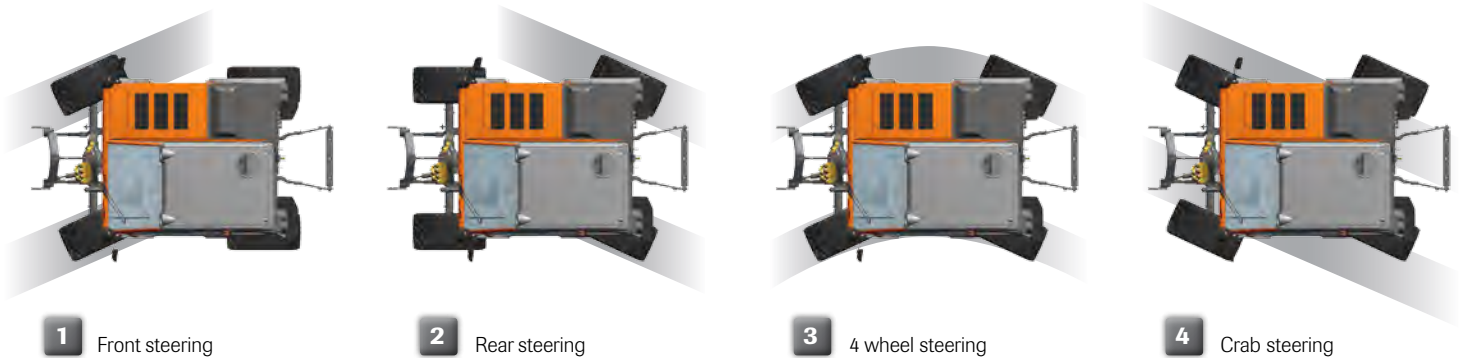
The hydrostatic steering system with four steering modes as standard equipment is the crowning achievement in chassis design. The steering mode can be switched conveniently by the push of a button, even during driving.

The "thinking" steering system

Sensors report the straight alignment of the wheels to the steering control unit, which enables the fully automatic switch of steering modes, e.g., from front to 4 wheel steering and vice versa.



The 4 steering modes



1 Front steering

- For driving on roads, for safe, stable driving at high speeds.
- For working with rear mounted attachments or trailer operation.

2 Rear steering

Used mainly on level to moderately sloped terrain. With rear steering, the direction of front mounted attachments can be better controlled than with front steering. Moreover, the front attachment is not subject to lateral "shift" during steering, allowing for much smoother and more consistent work.

3 4 wheel steering

The special features of the original Reform 4 wheel steering:

- High manoeuvrability in the tightest of spaces.
- Front and rear wheels are turned at the same angle and run exactly in the same track.

- Maximum soil protection by even, absolutely tension free traction of all 4 wheels.
- Quick and fully automatic switching of steering modes with the push of a button – also during driving.
- Better efficiency through tighter turning circles.

4 Crab steering

Front steering is used while the rear wheels are turned at an angle; this results in a lateral offset during driving.

- For safe work in extreme contours through a shift in the centre of gravity.
- Working along ditches and fences; the rear wheels stay at a distance.
- Soft ground is protected since each wheel runs in its separate track.



Metrac 6 X and 7 X



Metrac 6 X and 7 X

REFORM Metrac H-models



Hydrostatic drive.

The hydrostatic drive with 4 speed ranges enables the **stepless adjustment of the drive speed** to the various working conditions and provides additional safety on slopes through permanent transmission of power.

Choose your driving mode:

Manual with the multi function control lever

Continuous F/R control with stop in the neutral position, for efficient use in partial load operation with low engine speed.

Automotive via accelerator pedal

For the use with rotary disc mower or flail mower, when high PTO speed for clean cut and high power is needed.



The special driving comfort

Speed adjustment and change of driving direction with one control lever.



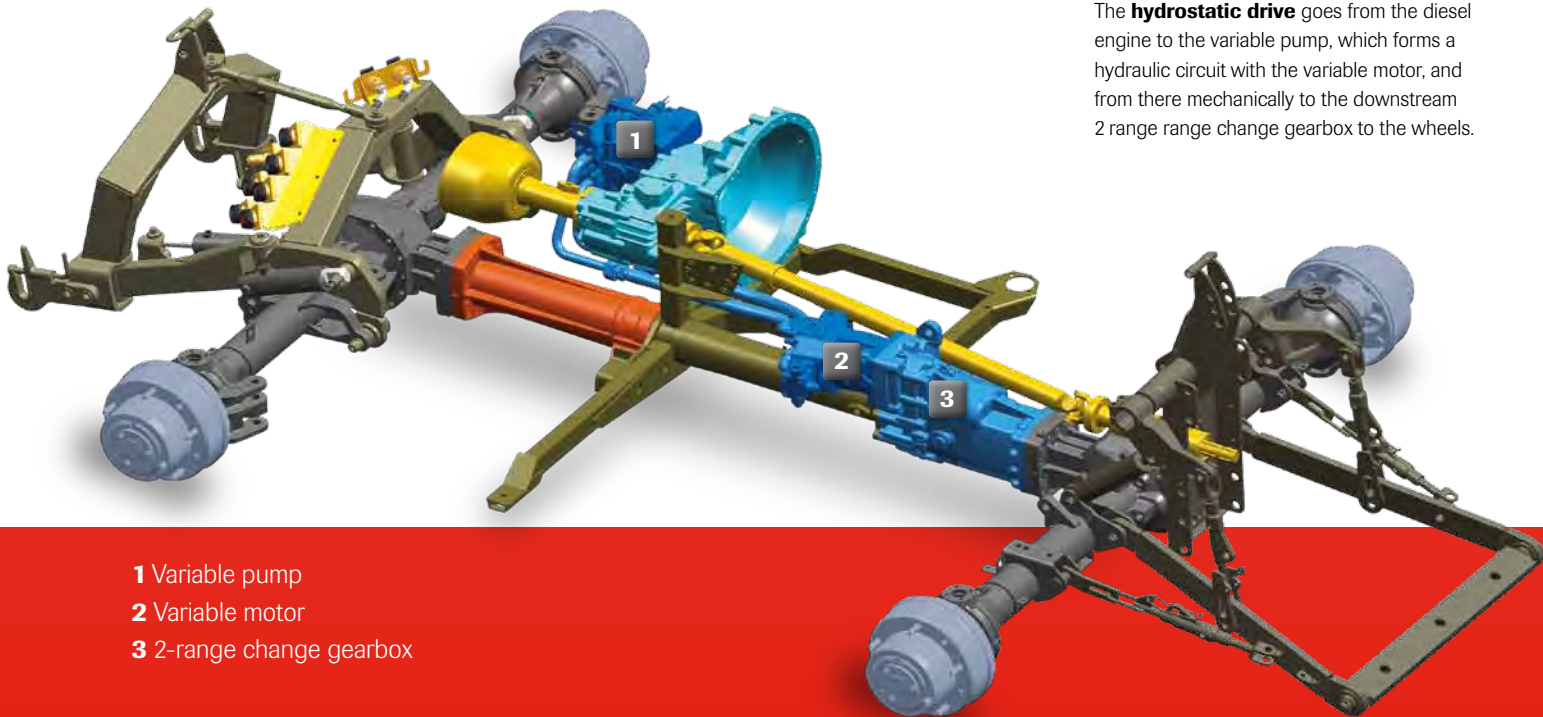
2 mech. ranges



2 hydraulic ranges



Automotive or manual



- 1 Variable pump
- 2 Variable motor
- 3 2-range change gearbox

The **hydrostatic drive** goes from the diesel engine to the variable pump, which forms a hydraulic circuit with the variable motor, and from there mechanically to the downstream 2 range range change gearbox to the wheels.

Speeds in kph with standard tyres

H4 X
H5 X

	1. range 0 - 7	31x15.5-15
	2. range 0 - 14	
	1. range 0 - 18	
	2. range 0 - 36.0	

H6 X
H7 X

	1. range 0 - 8	33x15.5-15
	2. range 0 - 15	
	1. range 0 - 20	
	2. range 0 - 38.0	

The benefits at a glance:

- 4 speed ranges for maximum power transmission
- Easy and safe manoeuvring in difficult terrain
- Soft, smooth starting for special protection of the turf
- Continuous speed selection for forward and reverse driving
- Maximum safety on slopes through permanent transmission of power
- Manual or automotive drive mode depending on application
- High working comfort for driver and protection for the brakes
- Inch pedal as active safety device for fast stopping

REFORM Metrac G-models



Mechanical speed change gearbox.

Shifting made easy – the Metrac G4 X – G7 X series comes with standard synchronised shuttle gearbox to provide exact and safe shifting in any situation. The close gear stepping enables optimum usage of the high engine output and provides the right driving speed for any type of work. The speed change gearbox has four speeds, which the two or three range change gearbox translates to 8 or 12 gears, respectively.

1 Clutch

2 Mech. transfer gear

3 4 speed speed change gearbox

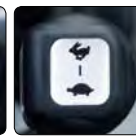
4 Range change gearbox (2 or 3 ranges)



The gear levers are ergonomically and clearly placed.



4 speeds

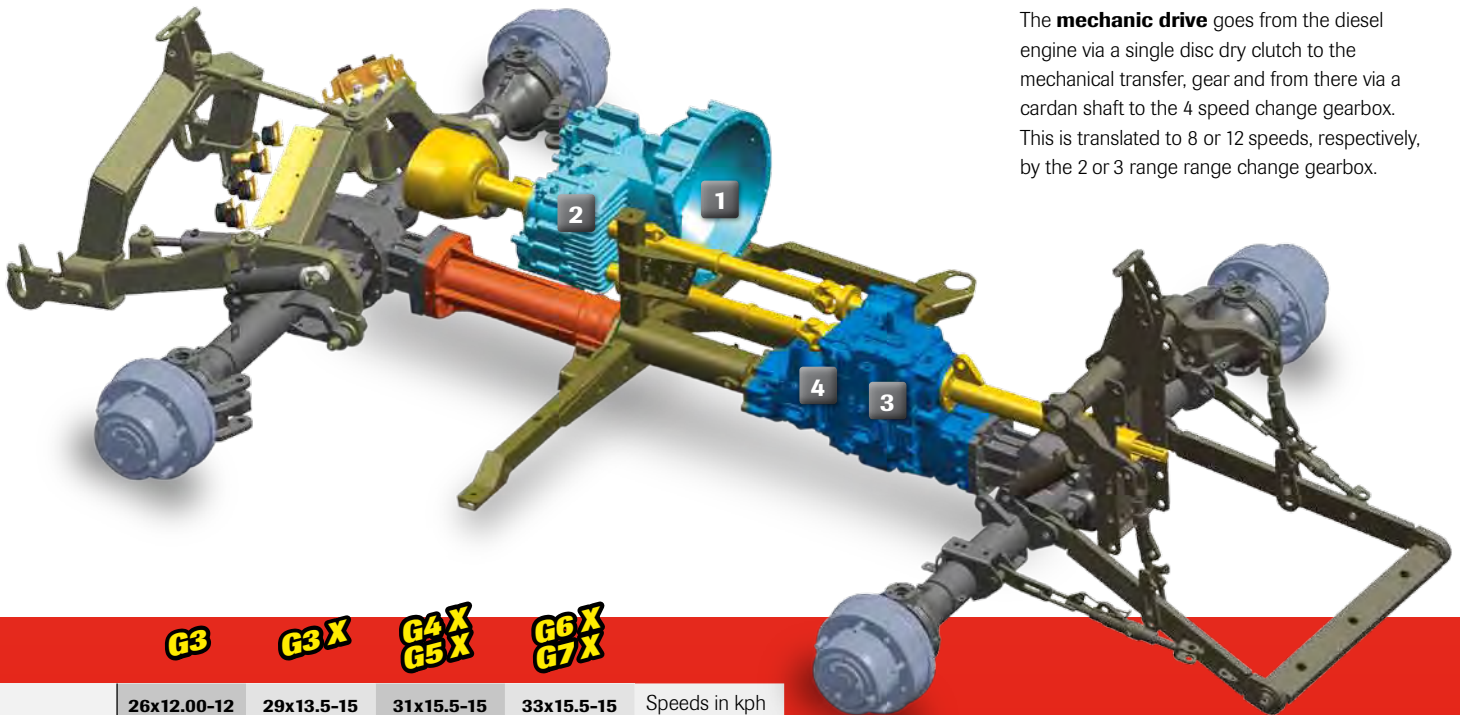


2 ranges
8F / 8R



3 ranges
12F / 12R
(option).

The **mechanic drive** goes from the diesel engine via a single disc dry clutch to the mechanical transfer, gear and from there via a cardan shaft to the 4 speed change gearbox. This is translated to 8 or 12 speeds, respectively, by the 2 or 3 range range change gearbox.



G3 **G3 X** **G4 X / G5 X** **G6 X / G7 X**

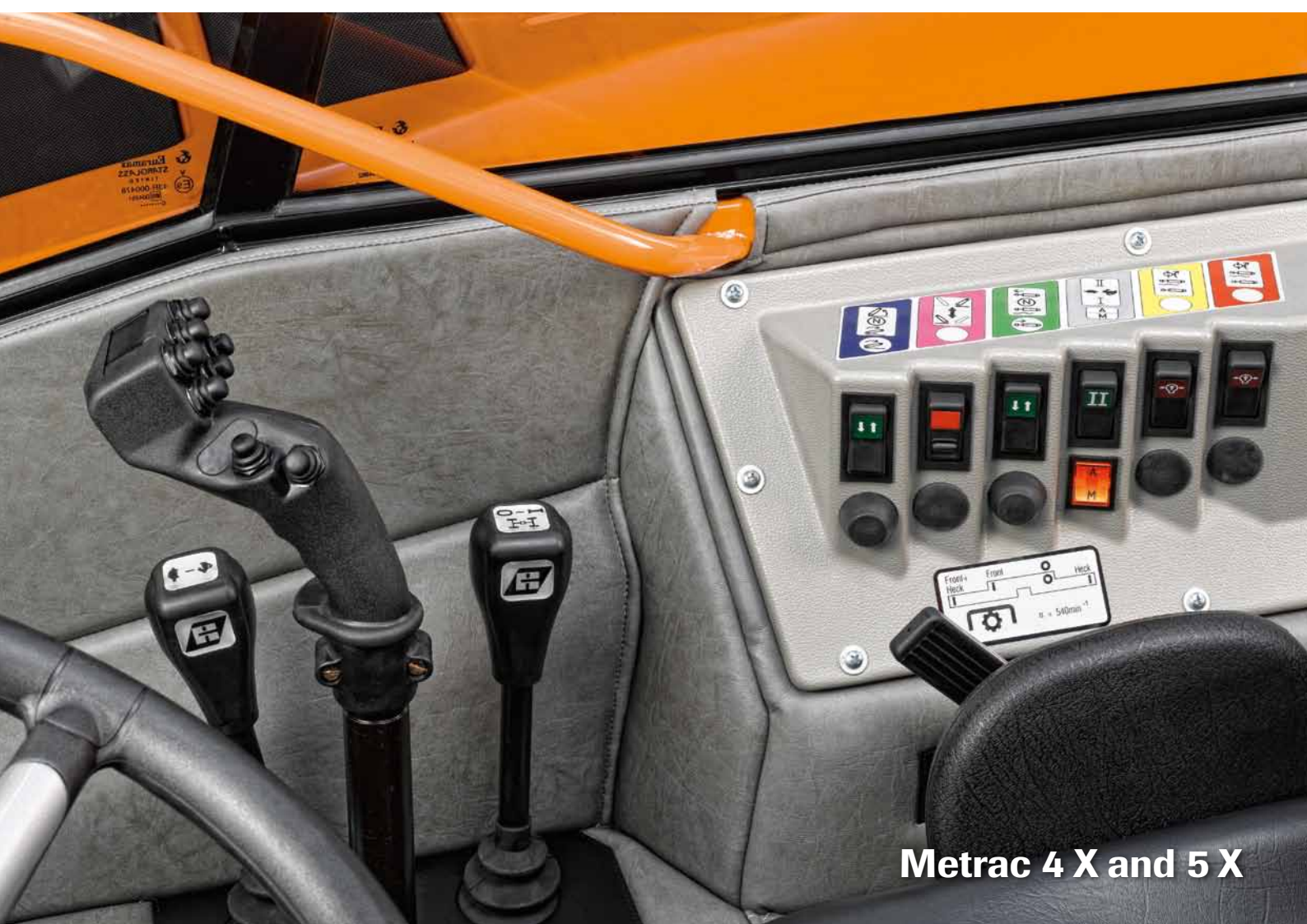
	26x12.00-12	29x13.5-15	31x15.5-15	33x15.5-15	Speeds in kph with standard tyres
Gear I	---	---	1.0	1.5	
Gear II	---	---	1.9	2.6	
Gear III	---	---	3.0	4.1	
Gear IV	---	---	4.1	5.7	
Gear I	2.0	2.3	2.2	3.1	
Gear II	3.3	3.8	4.0	5.6	
Gear III	5.5	6.3	6.3	8.8	
Gear IV	9.2	10.5	8.8	12.3	
Gear I	4.3	5	6.9	9.6	
Gear II	7.3	8.3	12.3	17.2	
Gear III	12.1	13.8	19.5	27.2	
Gear IV	20.1	23.0	27.3	38.0	

The benefits at a glance:

- Synchronised shuttle gearbox
- Closely and evenly stepped gears
- Short, direct shifting travels
- Low starting speeds especially in the road driving range
- All speeds are switched in both directions of travel
- 2 gearbox variants:
8F / 8R speeds for agricultural use,
12F / 12R speeds (incl. 4 creep speeds) for working in the slow speed range, e.g., snow blower



Metrac 4 X and 5 X



Metrac 4 X and 5 X

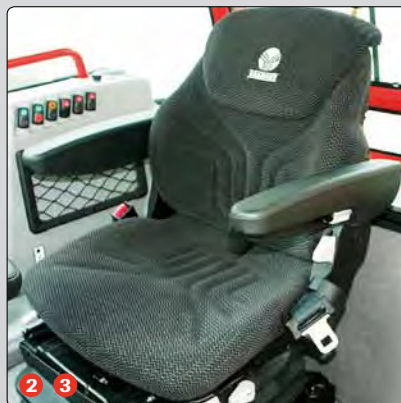
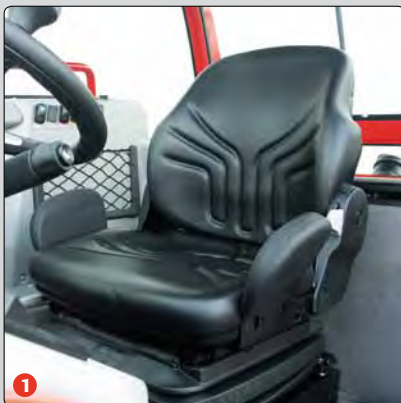
REFORM Metrac G6 X – H7 X

Top performance with the powerful and comfortable premium range.

With the **Metrac 6 X and 7 X** series, REFORM offers compact size, productivity and efficiency in the municipal services area. Pleasing optics, comfortable operation and modern technology elevate these models to the top range. Working with a Metrac 6 X or 7 X is certainly a special treat. Enormous manoeuvrability and soil protection, tried and tested 4 wheel drive, high driving comfort and convincing performance – these benefits are hard to describe in words, they should be experienced hands on.



Adjustable vents in the roof area, vents to the windscreen and in the footwell allow the driver to create his or her individual "working climate".

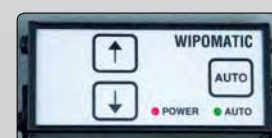


Take your seat and look forward to your work.

You can work for hours without getting tired with the longitudinally and height adjustable comfort seats with adjustable backrest in different versions:

- 1 Easy care with leatherette cover
- 2 Pleasant with cloth cover
- 3 Comfortable with air damping

Optional: high backrest, arm, rests, cloth seat cover, seat belt, or side swivel unit.



Exceptional driving comfort with the electric WIPOMAT swivel unit (option).

A **stereo radio with CD** will make your workday even more enjoyable (option). The **roof area** also accommodates the controls for the air conditioning and ventilation system, switches for auxiliary lights, the cab illumination, as well as rear view mirror and sun visor.



"Driving a Metrac" is sheer pleasure with the clearly structured and straightforward controls.



The clearly organised cockpit, with clearly separated **indicator lights and gauges**, provides you permanently with essential information. You can fully focus on your work.

Digital displays: Operating hours meter, daily hours counter, clock, PTO speed front and rear, straight wheel alignment, misc. warning indicators, temperature display for hydrostat. drive in H models.

Analogue displays: Fuel gauge, tachometer, speedometer, coolant temperature display.

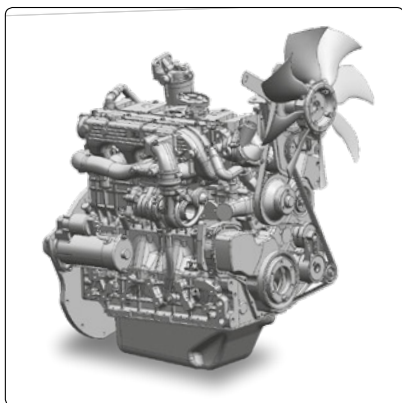
Indicator lights for, e.g., differential locks, 4 wheel drive, hand brake, current steering mode.



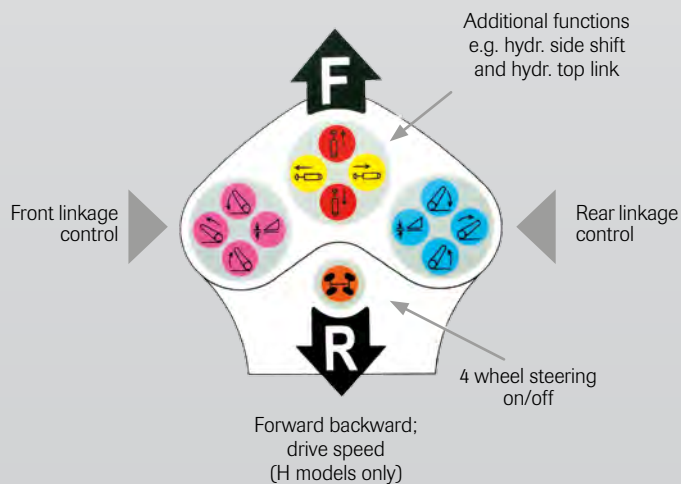
REFORM Metrac G6 X – H7 X

The premium range at a glance:

- Superior slope capability and terrain mobility
- Speed change gear or hydrostatic drive
 - Comfortably to operate fully synchronised speed change and reverse gears
 - Hydrostatic drive with 4 speed ranges and switchable automotive control for maximum power transmission
- Power shift PTO front and rear
- Dual circuit 4 wheel brake for safety in every situation
- New deluxe cab for comfortable working
- Engine power from 4 cylinders thanks to large displacement
- High axle loads and powerful front and rear linkages for high performance attachments
- Electro hydraulic weight compensation
- 4 steering modes as standard equipment in the chassis concept
- Pre selectable differential locks



The modern **4 cylinder turbo charged diesel engines** with 62 or 70 hp are distinguished by low fuel consumption, very smooth running, good torque and long service life. The high torque, available from low revs and across a wide range, delivers good engine output with power to spare in any situation.



Multi functional operation with one hand!

In the Metrac top range, you control the essential hydraulic functions and the driving direction with the push of a button via the multi-function control lever.

On the **side control panel** you find, clearly arranged and colour coded, further hydraulic functions such as linkage deactivation, weight compensation toggle or oil motor operation (depending on the desired hydraulic system version).



The **hydraulic couplings** of the high performance working hydraulics are easily accessible and colour coded. Combined with the **exterior electric controls** of the linkages, this makes mounting of attachments almost "a piece of cake".



Take your seat and look forward to your work.

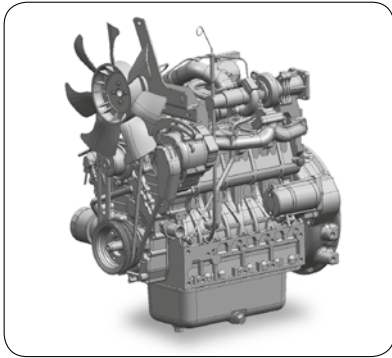
The wide entry ensures comfortable and safe access to the high spec cab. The clear and functional layout of the controls provides high driving and operating comfort and ensures that you don't get distracted during driving and can fully focus on your work. Conventional analogue gauges combined with a digital display gives you all information at a glance. The comfortable seat, the adjustable steering wheel, and ample head and foot room meet the expectation of any user. Optionally, the cab can be upgraded to a deluxe cab with heater and air conditioning, with wide opening, full glass door.



REFORM Metrac G4 X – H5 X

Versatile multi talented for any job.

With its **Metrac 4 X and 5 X models**, REFORM has devised a high performing, comfortable line for applications in municipal services, landscaping, and in many other areas. With this, the most diverse jobs can be handled, safely and precisely, in smallest spaces or in the most extreme terrain. Benefit from the Metrac mid range through high quality, smart technology, superior function, and efficiency.

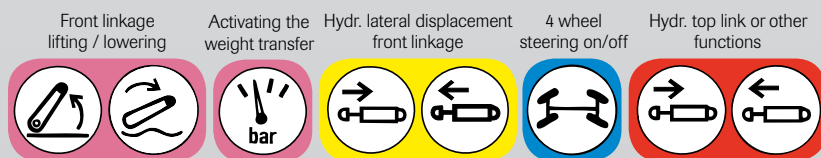


The flexible and extremely efficient 4 cylinder engines utilize the maximum torque over a wide speed range and benefit from enormous engine output. The high torque ensures full power and flexibility in partial load operation. The quadruple rubber mounting of engine and cab keeps vibrations out of the cabin.

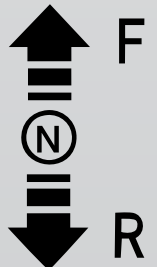


Everything under control with the multi function control lever!

In the H models, you select the right drive speed and direction with the multi function control lever, irrespective of the engine speed and under load. In the G models, you use the multi function control lever to switch between forward and reverse gear. The buttons on the multi function control lever provide unparalleled comfort for operating the most frequently used hydraulic functions:



Forward / backward, drive speed (H models only)



Height adjustable headlights

The toolless height adjustable headlights can be easily adapted to the attachments and the working conditions. Guards protect against damage.



The easily accessible **filler neck** provides for fast filling stops, and the **electrical external control** for the linkage makes mounting and removing of attachments easy.



The clearly organised cockpit, with clearly separated indicator and warning lights, provides essential information permanently. You can fully focus on your work. All controls are ergonomically positioned and clearly arranged in functional groups in the driver's area of vision – so you have everything under control at all times. The wide door opening and the generous space make the Metrac a comfortable workplace. The cab is vibration damped via the cab mountings and can be upgraded to comfort cab with heating and air conditioning.

REFORM Metrac G4 X – H5 X

The mid range at a glance:

- Speed change gearbox or hydrostatic travel drive
 - Narrowly stepped shuttle gearbox with 8 or 12 F/R gears
 - Hydrostatic drive for continuous control of the drive speed with only one lever.
 - Front linkage with side shift (G4 X, H4 X optional)
 - Low slung and lightweight design for best slope capability
 - Top comfort cab – optionally with air conditioning.
 - Electro hydraulic weight compensation.
 - 4 wheel steering, switchable to front, rear, and crab steering, ensures highest agility and soil protection.
 - Hydrostatic steering with 4 steering modes as standard equipment.
-
- 4 cylinder naturally aspirated engine
G4 X, H4 X
 - 4 cylinder naturally turbo charged engine
G5 X, H4 X



All **control elements** are grouped ergonomically and clearly according to function and are within the driver's reach – so you have everything under control and can fully focus on your work. From the **hydraulic control panel** you control the rear linkage or other hydraulic attachment features conveniently and with the push of a button. Switching a control device to oil motor operation with the push of a button. With the toggle feature between front and rear linkage, you operate the rear linkage including weight compensation conveniently with the multi-function lever. In the hydrostat models, you select the the driving mode (automotive or manual) as well as the speed ranges 1 or 2 in a clearly laid out way at the hydraulic control panel.



The **exterior electric control** for the front linkage is standard and makes mounting of attachments much easier.



The Metrac G4 X and H4 X models have a **fixed front linkage** as standard equipment, they are optionally available with hydraulic side shift.



Powerful operation hydraulics with comfort operation

The hydraulics block with electromagnetic operation is the basis for fulfilling the various requirements for attachment operation both in the front and the rear. The control valves are conveniently operated from the multi function control lever or the control panel to the right of the driver.

The **hydraulic couplings** are easily accessible and marked both with colours and symbols, which makes mounting of attachments so much easier.



REFORM Metrac G3 X

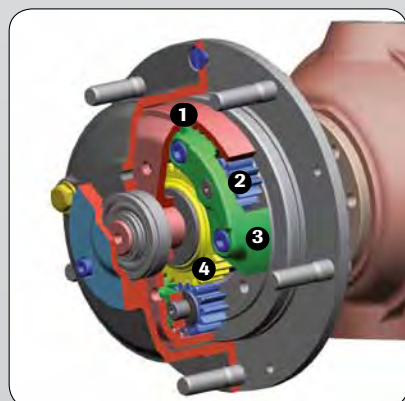
Compact and comfortable.

The entry level to the X series has never been more compact than with the G3 X.

A characteristic feature for the X series are the final drives which are easy on the whole drive train and support it at the same time. This reduces wear and increases the service life of the vehicle. The Metrac G3 X can optionally be equipped with a closed cab, heating and defroster, making the machine fit for use in poor weather conditions.

The benefits at a glance:

- Robust yet highly efficient design
- Powerful technology
- Maximum terrain mobility
- Optionally with closed cab
- Front linkage with hydraulic weight compensation
- 4 steering modes for unbeatable manoeuvrability
- Switchable 4 wheel drive
- Low centre of gravity
- Large footprint
- Highest soil protection
- Low dead weight

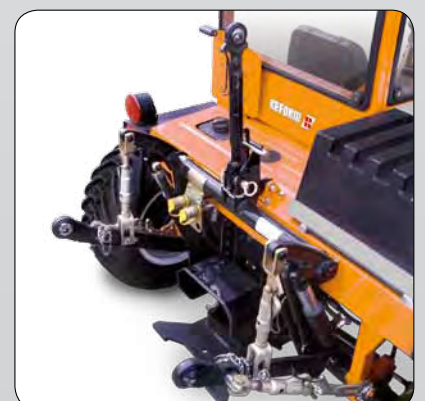


Long service life

Robust driving/steering axles with planet gear final drives support and protect the drive train. The drive shaft drives the internal gear (1). Via the planet gears (2) and the fixed internal sun gear (4), the planet gear carrier (3), screwed to the wheel hub, is brought to a lower rotational speed and thus increases the transmittable torque. Lower forces act on the drive shaft.

Perfect attachment areas

The front and rear linkages ensure optimal work. The 3-point front linkage (cat. 1) with 900 kg lifting force can be equipped with a hydraulic top link. The optional rear linkage with moving lower links has a lifting force of 950 kg. The hydraulic weight compensation makes the device even more capable on slopes.





To see and be seen

The Metrac G3 X can be equipped with auxiliary lights and a rotating warning light. For optimal view in twilight and at night.



Warm in winter, too

The heater makes your workday comfortable also in winter and in bad weather.

Comfort with a capital 'C'

The driver rollover protection frame with roof, tinted windscreen, right and left side windows, and a rear window provides large head clearance and moving space. Optionally, the G3 X can be fitted with a closed cab including heating and defroster unit. Higher comfort in all locations and under all conditions.

A spacious workplace

Take your seat in the generously dimensioned deluxe cab and feel instantly at home. All controls are in easy reach and ergonomically arranged in functional groups.



REFORM Metrac G3

The efficient entry level.

Enter the world of two axle mowers!

The Metrac G3 features a high degree of mature technology, paired with very easy operation. Combined with a twin blade mower, the Metrac G3 is an especially lightweight and cost efficient working combination with unbeatable terrain capability. Thanks to good engine output and the power shiftable front PTO, the G3 is also particularly efficient with a rotary disc mower.

- Powerful technology with high efficiency.
- Uncomplicated, robust technology
- Particularly low weight for maximum terrain mobility
- Dead weight of only approx. 1,400 kg
- Front linkage with hydraulic weight compensation
- 4 wheel steering system by the push of a button
- 4 steering modes for unbeatable manoeuvrability
- Switchable 4 wheel drive
(front wheel drive can be deactivated)
- Power shiftable front PTO
- Very good power to -weight ratio
(only 31.9 kg/hp)
- Low centre of gravity, large footprint
- 26" wheels – optionally 29"
- Highest soil protection and agility.



Even more power

The Metrac G3 features a powerful 4 cylinder diesel engine with 44 hp (32.1 kW) at 2,800 rpm – for even more power reserves when working with the sickle mower. The large, well sealed bonnet, being a highly efficient dust filter, increases maintenance intervals for radiator and fan.

Hydraulic weight compensation

The pre selectable weight compensation pressure is set via a rotary knob and shown at the pressure gauge. If needed, the system is recharged at the push of a button in a matter of seconds.





The generously sized cab

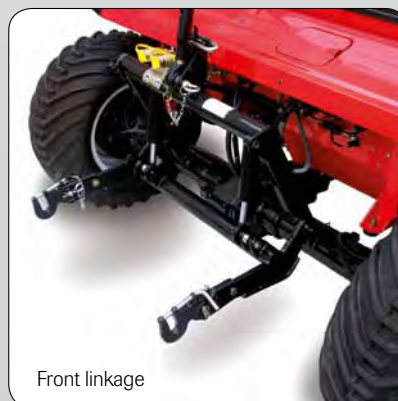
Sit down on the ergonomic comfort seat. All levers and pedals are ergonomically arranged in functional groups.

Straight switching travels of the 8F/8R shuttle gearbox provide fast and safe switching even on slopes.

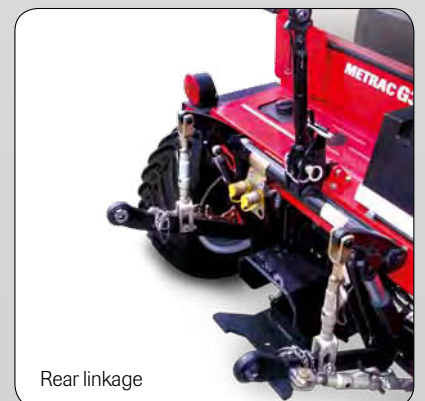
The straightforwardly organised dashboard, with clearly structured indicator and warning lights, provides permanently essential information.

Robust linkages

The front and rear linkages with weight compensation ensure optimal work in landscaping and in municipal use. The hydraulic weight compensation in the front linkage has a long accumulation period and therefore lifts at once. The standard front linkage cat. 1 lifts 900 kg and can be equipped with a hydraulic top link. The optional rear 3 point linkage with moving lower links has a lifting power of 950 kg.



Front linkage



Rear linkage

REFORM Metrac accessories

Top equipment for any job.



The detachable **rotating warning light** makes you visible even in poor weather conditions.



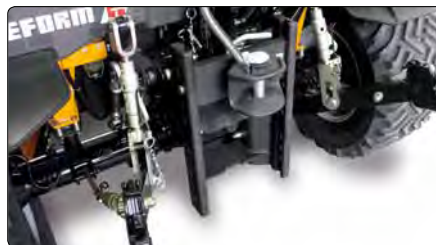
One or two **working lights** on or below the cab roof provide best view of the rear working area.



The integrated **auxiliary lights** at the roof front ensures maximum visibility, turning night virtually into day.



Mechanical or automatic **trailer hitches** are available for different applications.



The height adjustable **trailer hitches with slide** are a special advantage (mechanical, automatic, or with ball head).



With the **hydraulic top link**, you can react to uneven ground quickly from the cab or adjust the working height with the push of a button.



Music from a **stereo radio** with CD will make your workday even more enjoyable.



Comfortable climate with roof-integrated **air conditioning** or additional fresh air supply for closed cab with the integrated **roof ventilation system**.



All Metrac models can be finished in your specified **custom paint**.

No load is too heavy for the Metrac rear linkages.

The robust design of the 3 point rear linkage with weight compensation make the Metrac a universal working machine. The large lifting forces of 1,200 or 1,500 kg in the X series allow the use of high performance attachments.

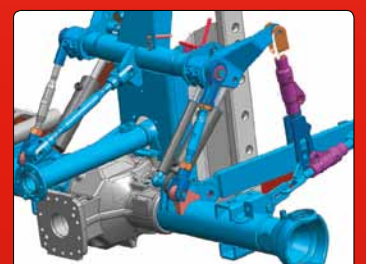


Exterior electric controls



Retaining balls cat. 1 and 2 or hook ends cat. 2

- Double acting cylinders (lift/pressure) (switchable to single acting).
- Movable strut supported lower links
- Longitudinally adjustable lift struts and lowering speed control.
- Optional vibration damping (G6 X - H7 X series)
- Switching from front weight compensation to the rear linkage (option).



Extra Stability is achieved by supporting the rear linkage with pull rods on the rear axle.

REFORM Metrac

The climbers with the strong profile.

Basic tyres



26x12.00-12 Terra



31x15.50-15 Terra



33x15.50-15 Terra



440/50 R17
All-Ground



29x13.50-15 Terra



31x15.50-15
AG



31x15.50-15
Turf



425/55 R17
AG

Auxiliary tyres



29x13.50-15
with 5.00-16*



31x15.50-15
with 6.50-16*



33x15.50-15
with 7.50-16

*not shown: 26x12.00-12 with 5.00-15

The wide low pressure tyres with various special profiles ensure **maximum traction, low ground pressure and reliable turf protection.** They provide grip on difficult soils and on steep slopes.

Up the hill
– with even
more grip!



Choose your profile:

- 1 Narrow tread low pressure tyres for maximum soil protection
- 2 Agricultural tyres for high pulling performance and high stability
- 3 Turf tyres for intensive lawn care



Even better slope capability and soil protection with the **front and/or rear auxiliary tyres.** Quick installation and removal with quick release.

If you want to switch the auxiliary wheels between front and rear axle, you can install mounting parts on both axles for a quick change between front and rear.

Innovative engineering since 1910

Customer Satisfaction through Quality.



The REFORM-Werke Wels is one of the few manufacturers which assume undivided responsibility for the entire value added chain. Have a brief tour on the creation of Reform products, from development of a new machine to standard production. The entire production process is subject to the requirements of the **ISO 9001 quality management system**.



Latest equipment, such as 3 D CAD, in **design and development** of new special purpose vehicles.



In **parts production** precision parts are manufactured on leading edge CNC tools in different batch sizes.



Permanent **quality control** ensures compliance with standards according to the ISO 9001 quality management system.



In **line assembly**, excellently trained and continuously schooled expert personnel produce a wide range of vehicle types and variants.



Before delivery, all vehicles undergo intensive **functional testing** such as here on the chassis dynamometer (pictured).



In the **end of line check** and the **finishing department**, all machines are thoroughly checked once more and prepared for shipment to their future owners.

REFORM – On the way to the customer.

A large part of the machines are transported with **REFORM's own lorries** – they reach their destination fast and safely.

Our new transport vehicles – in eye-catching, contemporary design – have special accessories for the optimal loading of REFORM machines. Additionally, we also use outside forwarding agencies and railway transport.





Metrac H5 X



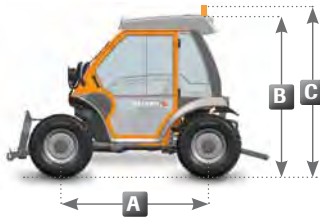
Metrac H6 X



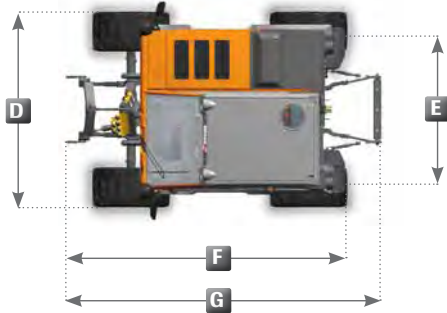
Metrac H7 X



Dimensions G3 – H7 X



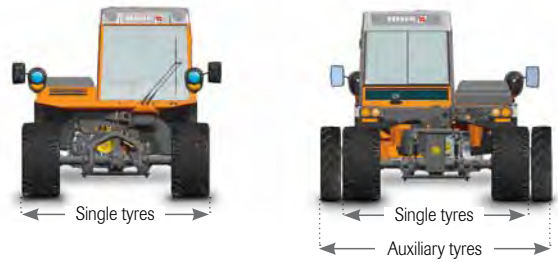
- A** Wheelbase
- B** Height incl. roof
- C** Height with rotating warning light
- D** Width
- E** Track front and rear
- F** Length without rear linkage
- G** Length with rear linkage



Dimensions in mm with standard tyres

	Metrac G3	Metrac G3 X	Metrac G4X, G5X	Metrac G6X, G7X	Metrac H4X, H5X	Metrac H6X, H7X
	26x12.00-12	29x13.50-15	31x15.50-15	33x15.50-15	31x15.50-15	33x15.50-15
A	1,665	1,665	1,950	1,995	1,950	1,995
B	1,925	1,965	2,080	2,165	2,080	2,165
C	2,211	2,251	2,300	2,365	2,300	2,365
D	1,885	1,985	2,020	2,020	2,020	2,020
E	1,565	1,635	1,630	1,630	1,630	1,630
F	2,615	2,655	3,065	3,160	3,065	3,160
G	2,975	2,975	3,520	3,580	3,520	3,580

Wheel outer widths G3 – H7 X



Wheel outer width (mm)	G3	G3 X	G4X G5X	G6X G7X	H4X H5X	H6X H7X
26x12.00-12 Terra tyres	1,885	-----	-----	-----	-----	-----
26x12.00-12 with 5.00-15	2,205	-----	-----	-----	-----	-----
29x13.50-15 Terra tyres	1,985	1,985	-----	-----	-----	-----
29x13.50-15 with 5.00-16	2,300	2,300	-----	-----	-----	-----
31x15.50-15 Terra tyres	-----	-----	2,020	-----	2,020	-----
31x15.50-15 Turf tyres	-----	-----	2,020	2,020	2,020	2,020
31x15.50-15 AG tyres	-----	-----	2,020	2,020	2,020	2,020
31x15.50-15 with 6.50-16	-----	-----	2,410	2,410	2,410	2,410
33x15.50-15 Terra tyres	-----	-----	2,020	2,020	2,020	2,020
33x15.50-15 with 7.50-16	-----	-----	2,440	2,440	2,440	2,440
425/55 R17 All-Ground	-----	-----	-----	2,160	-----	2,160
425/55 R17 AG tyres	-----	-----	-----	2,160	-----	2,160
440/50 R17 All-Ground	-----	-----	-----	2,160	-----	2,160

Reform Metrac – Simply the best!





Metrac H7 X



Metrac H6 X

Technical Specification

Metrac G3



Metrac G3 X



Engine	4 cylinder 4 stroke diesel engine, Kubota V 2003 M EU-32, stage 3A, 32.1 kW (44 hp) at 2,800 rpm, displacement 1,999 cm ³ , water cooled.	
Gearbox	Shuttle gearbox with 8 forward and 8 reverse gears, Speed: 2.0 – 20.1 kph (26" tyres); 2.3 – 23.0 kph (29" tyres)	Shuttle gearbox with 8 forward and 8 reverse gears, Speed: 2.3 – 23.0 kph (29" tyres)
Clutch	Single disc dry clutch for travel drive and rear PTO (via clutch pedal), multi disc clutch for front PTO drive (hand lever operated).	
The axles	Driving/steering axles front and rear, front axle oscillating.	Driving/steering axles with final drives front and rear, front axle oscillating.
Axle drive	Four wheel drive, front wheel drive switchable.	
Differential locks	Self locking differential front, manual differential lock rear.	
Steering system	Hydrostatic steering with Load Sensing; electro hydraulic steering switch during driving, pre selectable with options for 4 wheel, front, rear, and continuously adjustable crab steering; automatic synchronisation of wheel position.	
Service brake	Hydr. dual circuit 4 wheel power brake.	
Parking brake	Mechanical parking brake and steering brake mechanism acting on front wheels.	
Engine hydraulics	Hydraulic pump 26.6 l/min, 180 bar, oil tank 8 l, standard equipment Var. B1: 1 control valve each for front and rear linkage, 1 control valve d.a.f. with parallel lines front and rear; option: Var. C1: 1 additional control valve d.a.f. with parallel lines front and rear (max. 4 trailer couplings front and 4 rear)	
Front linkage	Front 3 point linkage with hydraulic weight compensation, quick release system via seating locators, top link mount, lifting force max. 900 kg.	
Rear linkage (option)	Rear 3 point linkage with movable lower links, retaining balls cat. 1 + 2, single acting cylinders, lowering speed control, lifting force 950 kg. Option: Lower links with hook ends cat. 2, double acting cylinders (lift/pressure), drawbar.	
PTO	Power shift PTO front 540 rpm, counter clockwise, gearbox PTO rear rear 540 rpm, clockwise; (direction of rotation: looking at PTO shaft end).	
Cab	Driver rollover protection frame with roof and tinted windscreen, side window right and rear window, comfort seat, wiper with windscreen washer, cable lead-through for attachments. Option: Closed cab with door, sliding window and heating/defroster.	
Gauges	Tachometer with integrated operating hours meter, fuel gauge, temperature gauge, indicator for straight wheel alignment, various indicator lights with symbols.	
Electric system	Battery 12V, 60 Ah, alternator 40 A, full road lighting, complete, option: Auxiliary lights front on roof, 1 working light rear, rotating warning light.	Battery 12V, 60 Ah, alternator 45 A, full road lighting, complete, option: Auxiliary lights front on roof, 1 working light rear, rotating warning light.
Fuel tank	Polyethylene tank, capacity 35 l.	
Seat designs	Comfort seat with leatherette cover, pelvic support, longitudinally and height adjustable, tilt adjustable backrest; Option: High backrest, protective cloth cover, arm rest, seat belt.	
Accessories	Mechanical or automatic trailer hitches (mountable at various heights), hydraulic front top link, top link elevation; further options on request.	
Attachments	Dump bucket, snow plough, twin blade mower, rotary disc mower, side delivery belt rake, front collecting fork, further tools on request.	
Weights	Dead weight: 1,420 kg with 26" tyres, 1,460 kg with 29" tyres Perm. axle load front: 1,450 kg, perm. axle load rear: 1,450 kg Perm. gross weight: 2,250 kg	Dead weight: 1,490 kg with 29" tyres Perm. axle load front: 1,600 kg, perm. axle load rear: 1,600 kg Perm. gross weight: 2,500 kg
Turning radius	3.10 m with 26" tyres (with 4 wheel steering) 3.20 m with 29" tyres (with 4 wheel steering)	3.20 m with 29" tyres (with 4 wheel steering)



Metrac G4 X, G5 X



Metrac H4 X, H5 X

4 cylinder 4 stroke diesel engine, G4 X: Kubota V2403-M naturally aspirated engine, 36 kW (49 hp) at 2,700 rpm; G5 X: Kubota V2403-M-T with turbocharger, 43.3 kW (59 hp) at 2,700 rpm; displacement 2,434 cm ³ , water cooled.	4 cylinder 4 stroke diesel engine, H4 X: Kubota V2403-M naturally aspirated engine, 36 kW (49 hp) at 2,700 rpm; H5 X: Kubota V2403-M-T with turbocharger, 43.3 kW (59 hp) at 2,700 rpm; displacement 2,434 cm ³ , water cooled.
Shuttle gearbox with 8 forward and 8 reverse gears, synchronised speed change and reverse gears, 2.3 – 27.3 kph with 31" tyres; 2.4 – 29.5 kph with 33" tyres, Option: Creep speed variant, 12 forward and 12 reverse gears, 1.04 – 27.3 kph with 31" tyres, 1.12 – 29.5 kph with 33" tyres.	Hydrostatic drive with mechanical 2-range gear and electro-hydraulic 2-level switching, inching function, hydrostatic control optionally automotive or manual, electrically switchable. 4 speed ranges: with 31" tyres: Field: 0 – 7.0 kph / 0 – 13.8 kph, road: 0 – 18.1 kph / 0 – 36.0 kph, with 33" tyres: Field: 0 – 7.6 kph / 0 – 15.0 kph, road: 0 – 19.6 kph / 0 – 39.0 kph
Single disc dry clutch with hydraulic central disengagement for drive, multi disc clutch for PTO drive (electro-hydr. switchable).	Single disc dry clutch with hydraulic central disengagement for PTO drive (electro-hydr. switchable).
Driving/steering axles with final drives front and rear, front axle oscillating.	
Four wheel drive, front wheel drive switchable.	
Pre selectable, manually operated differential locks front and rear, with switch status indicator lights on dashboard.	
Hydrostatic steering with Load Sensing; electro hydraulic steering switch during driving, pre selectable with options for 4 wheel, front, rear, and continuously adjustable crab steering; automatic synchronisation of wheel position.	
Hydr. dual circuit 4 wheel power brake.	
Mechanical parking brake acting on rear wheels.	
Hydraulic pump 29.7 l/min, 195 bar, oil tank 13 l, standard equipment Var. C4: 1 control valve each for front and rear linkage, 2 control valves d.a.f. with parallel lines front and rear, switchover cock at rear linkage, one tank return line each front and rear, operation by multi function control lever; Option: Var. D4: 1 additional control valve d.a.f. with parallel lines front and rear (max. 10 trailer couplings front and 8 rear)	
Angle swing lift, with electro hydraulic weight compensation, quick release system using seating locators, cat. 1, lowering speed control, electric external control, lifting force 1,300 kg. Option: Vibration damping, G4 X: fixed design, hydraulic side shift optional. G5 X: Integrated side shift with 400 mm adjustment range (+/- 200 mm).	Angle swing lift, with electro hydraulic weight compensation and vibration damping , quick release system using seating locators, cat. 1, lowering speed control, electric external control, lifting force 1,300 kg. H4 X: fixed design, hydraulic side shift optional. H5 X: Integrated side shift displacement with 400 mm adjustment range (+/- 200 mm).
Rear 3 point linkage with movable lower links, retaining balls cat. 1 + 2, double acting cylinders (lift/pressure), switchable to single action, lowering speed control, electric external control, lifting force 1,200 kg. Option: Lower links with hook ends cat. 2, electro hydraulic weight compensation, drawbar, vibration damping.	
Power shift PTO front 540 rpm, counter clockwise, and rear 540 and 750 rpm, clockwise; electro hydraulically switchable with automatic soft start (direction of rotation: looking at PTO shaft end).	Power shift PTO front and rear 540 rpm, front counter clockwise, rear clockwise, electro hydraulically switchable with automatic soft start (direction of rotation: looking at PTO shaft end).
Vibration damped driver rollover protection frame with roof, panoramic windscreen, right side window, tinted window, comfort seats in various versions, parallelogram wipers, windscreen washer, sun visor, 2 exterior mirrors, interior mirror, bottle holder, radio preparation in the roof (2 speakers and aerial). Option: Closed deluxe cab with heating, electric cab ventilation, air conditioning.	
Tachometer with integrated operating hours meter, fuel gauge, temperature gauge, cigarette lighter, indicator lights with symbols for; e.g., differential locks, four wheel drive, hand brake, steering modes. Option: Digital speed display.	Tachometer with integrated operating hours meter, fuel gauge, temperature gauge, cigarette lighter, indicator lights with symbols for; e.g., differential locks, four wheel drive, hand brake, steering modes. Digital display for drive speed, temperature display for hydrostatic drive.
Battery 12V, 90 Ah, alternator 70 A, full road lighting, complete with height adjustable headlights; Option: Auxiliary lights front on roof, 1 working light rear, rotating warning light.	
Polyethylene tank, capacity 63 l.	
Longitudinally and height adjustable comfort seats with pelvic support and tilt adjustable backrest in 3 designs: Comfort seat with leatherette cover (standard) or cloth cover, air cushioned seat with cloth cover; Option: Side swivel unit, high backrest for comfort seat, protective cloth cover, seat belt, arm rests.	
Linkage toggle front/rear; hydraulic vibration damping front and rear, mechanical or automatic trailer hitches (fixed or height adjustable), var. accessories for cab, 2 speakers and aerial, stereo radio with CD, hydraulic top link, auxiliary weight compensation for front linkage, heated fuel filter, reverse buzzer, exhaust tail pipe routed to the rear, custom paint, snow chains; further options on request.	Linkage toggle front/rear; hydraulic vibration damping rear (standard front), mechanical or automatic trailer hitches (fixed or height adjustable), var. accessories for cab, 2 speakers and aerial, stereo radio with CD, hydraulic top link, auxiliary weight compensation for front linkage, heated fuel filter, reverse buzzer; exhaust tail pipe routed to the rear, custom paint, snow chains; Further options on request.
Flail mower, extension arm boom flail mower, sickle mower (with side or rear ejection), dump bucket, twin blade front and/or side mower, front-end loader, suction container with or without high discharge, road brush, self-loading salt spreader, snow plough, snow blower, twin blade mower, rotary disc mower, side delivery belt rake, front collecting fork. Further attachments on request.	
Dead weight (with standard equipment): G4 X: 1,850 kg, G5 X: 1,870 kg Perm. axle load front: 1,800 kg, perm. axle load rear: 2,100 kg; perm. gross weight: 3,400 kg	Dead weight (with standard equipment): H4 X: 1,870 kg, H5 X: 1,890 kg Perm. axle load front: 1,800 kg, perm. axle load rear: 2,100 kg; perm. gross weight: 3,400 kg
3.55 m (with 4 wheel steering)	

Metrac G6 X, G7 X



Metrac H6 X, H7 X



4 cylinder 4 stroke diesel engine, VM-D 754 SE 3 with turbocharger; G6 X: 45.6 kW (62 hp) at 2,600 rpm, G7 X: 51.5 kW (70 hp) at 2,600 rpm, displacement 2,970 cm ³ , water-cooled.	4 cylinder 4 stroke diesel engine, VM-D 754 SE 3 with turbocharger; H6 X: 45.6 kW (62 hp) at 2,600 rpm, H7 X: 51.5 kW (70 hp) at 2,600 rpm, displacement 2,970 cm ³ , water-cooled.
Shuttle gearbox with 8 forward and 8 reverse gears, synchronised speed change and reverse gears, 2.9 – 35 kph with 31" tyres; 3.1 – 38 kph with 33" tyres, 3.3 – 40 kph with 425 tyres. Option: Creep speed variant, 12 forward and 12 reverse gears, 1.3 – 5.3 kph with 31" tyres, 1.4 – 5.7 kph with 33" tyres, 1.5 – 6.0 kph with 425 tyres.	Hydrostatic drive with mechanical 2-range gear and electro hydraulic 2-level switching, inching function, hydrostatic control optionally automotive or manual, electrically switchable. 4 speed ranges: with 33" tyres: Field: 0 – 7.6 kph / 0 – 14.6 kph, road: 0 – 19.7 kph / 0 – 38.0 kph; with 425 tyres: Field: 0 – 8.0 kph / 0 – 15.4 kph, road: 0 – 20.7 kph / 0 – 40.0 kph
Single disc dry clutch with hydraulic central disengagement for drive, multi disc clutch for PTO drive (electro-hydr. switchable).	Single disc dry clutch with hydraulic central disengagement for PTO drive (electro-hydr. switchable).
Driving/steering axes with final drives front and rear, front axle oscillating.	Driving/steering axes with final drives front and rear, front axle oscillating.
Four wheel drive, front wheel drive switchable.	Four wheel drive, front wheel drive switchable.
Pre selectable, electro hydraulically operated differential locks front and rear, with gear status indicator lights on dashboard.	Pre selectable, electro hydraulically operated differential locks front and rear, with gear status indicator lights on dashboard.
Hydrostatic steering with Load Sensing; electro-hydraulic steering switch during driving, pre-selectable with options for 4 wheel, front, rear, and continuously adjustable crab steering; automatic synchronisation of wheel position.	Hydrostatic steering with Load Sensing; electro-hydraulic steering switch during driving, pre-selectable with options for 4 wheel, front, rear, and continuously adjustable crab steering; automatic synchronisation of wheel position.
Hydr. dual circuit 4 wheel simplex brake with brake booster.	Hydr. dual circuit 4 wheel power brake.
Mechanical parking brake acting on rear wheels.	Mechanical parking brake acting on rear wheels.
Hydraulic pump 24.2 l/min, 195 bar, oil tank 13 l, standard equipment Var. C4: 1 control valve each for front and rear linkage, 2 control valves d.a.f. with parallel lines front and rear, switchover cock at rear linkage, one tank return line each front and rear, operation by multi function control lever; Option: Var. D4: 1 additional control valve d.a.f. with parallel lines front and rear (max. 10 trailer couplings front and 8 rear)	Hydraulic pump 24.2 l/min, 195 bar, oil tank 13 l, standard equipment Var. C4: 1 control valve each for front and rear linkage, 2 control valves d.a.f. with parallel lines front and rear, switchover cock at rear linkage, one tank return line each front and rear, operation by multi function control lever; Option: Var. D4: 1 additional control valve d.a.f. with parallel lines front and rear (max. 10 trailer couplings front and 8 rear)
Angle swing lift with electro hydraulic weight compensation and vibration damping , quick release system using seating locators, cat. 1, lowering speed control, electric external control, integrated side shift with 400 mm adjustment range (+/- 200 mm), lifting force 1,500 kg.	Angle swing lift with electro hydraulic weight compensation and vibration damping , quick release system using seating locators, cat. 1, lowering speed control, electric external control, integrated side shift with 400 mm adjustment range (+/- 200 mm), lifting force 1,500 kg.
Rear 3 point linkage with movable lower links, retaining balls cat. 1 + 2, double acting cylinders (lift/pressure), switchable to single action, lowering speed control, electric external control, vibration damping , lifting force 1,500 kg. Option: Lower links with hook ends cat. 2, electro-hydraulic weight compensation, drawbar.	Rear 3 point linkage with movable lower links, retaining balls cat. 1 + 2, double acting cylinders (lift/pressure), switchable to single action, lowering speed control, electric external control, vibration damping , lifting force 1,500 kg. Option: Lower links with hook ends cat. 2, electro-hydraulic weight compensation, drawbar.
Power shift PTO front 540 rpm, counter clockwise, and rear 540 and 750 rpm, clockwise; electro hydraulically switchable with automatic soft start (direction of rotation: looking at PTO shaft end).	Power shift PTO front and rear 540 rpm, front counter clockwise, rear clockwise, electro hydraulically switchable with automatic soft start (direction of rotation: looking at PTO shaft end).
Vibration damped driver rollover protection frame with roof, panoramic windscreen, right side window, tinted window, comfort seats in various versions, parallelogram wipers, windscreen washer, sun visor, 2 exterior mirrors, interior mirror, bottle holder, radio preparation in the roof (2 speakers and aerial)	Vibration damped driver rollover protection frame with roof, panoramic windscreen, right side window, tinted window, comfort seats in various versions, parallelogram wipers, windscreen washer, sun visor, 2 exterior mirrors, interior mirror, bottle holder, radio preparation in the roof (2 speakers and aerial)
Option: Closed deluxe cab with heating, electric cab ventilation, air conditioning.	Option: Closed deluxe cab with heating, electric cab ventilation, air conditioning.
Indicator lights with symbols, e.g., for differential locks, four wheel drive, hand brake, current steering mode; Analogue displays: Fuel gauge, tachometer, speedometer, coolant temperature display. Digital displays: Operating hours meter, daily hours counter, clock, PTO speed front and rear, straight wheel alignment, various warning indicators, cigarette lighter.	Indicator lights with symbols, e.g., for differential locks, four wheel drive, hand brake, current steering mode; Analogue displays: Fuel gauge, tachometer, speedometer, coolant temperature display. Digital displays: Operating hours meter, daily hours counter, clock, PTO speed front and rear, straight wheel alignment, various warning indicators, cigarette lighter, temperature display for hydrostat. drive.
Battery 12V, 90 Ah, alternator 110 A, full road lighting, complete with height-adjustable headlights; Option: Auxiliary lights front on roof, 1 or 2 working light(s) rear, rotating warning light.	Battery 12V, 90 Ah, alternator 110 A, full road lighting, complete with height-adjustable headlights; Option: Auxiliary lights front on roof, 1 or 2 working light(s) rear, rotating warning light.
Polyethylene tank, capacity 85 l.	Polyethylene tank, capacity 85 l.
Longitudinally and height adjustable comfort seats with pelvic support and tilt adjustable backrest in 3 designs: Comfort seat with leatherette cover (standard) or cloth cover, air cushioned seat with cloth cover; Option: Side swivel unit, high backrest for comfort seat, protective cloth cover, seat belt, arm rests.	Longitudinally and height adjustable comfort seats with pelvic support and tilt adjustable backrest in 3 designs: Comfort seat with leatherette cover (standard) or cloth cover, air cushioned seat with cloth cover; Option: Side swivel unit, high backrest for comfort seat, protective cloth cover, seat belt, arm rests.
Weight compensation front/rear switchover, mechanical or automatic trailer hitches (fixed or height adjustable), various accessories for cab, stereo radio with CD, hydraulic top link, auxiliary weight compensation for front linkage, heated fuel filter, reverse buzzer, exhaust tail pipe routed to the rear, custom paint, snow chains; further options on request.	Weight compensation front/rear switchover, mechanical or automatic trailer hitches (fixed or height adjustable), various accessories for cab, stereo radio with CD, hydraulic top link, auxiliary weight compensation for front linkage, heated fuel filter, reverse buzzer, exhaust tail pipe routed to the rear, custom paint, snow chains; further options on request.
Flail mower, extension arm boom flail mower, sickle mower (with side or rear ejection), suction container with or without high discharge, road sweeper, self-loading salt spreader. Snow plough, snow blower, dump bucket, twin blade front and/or side mower, front end loader, twin blade mower, rotary disc mower, side-delivery belt rake, front collecting fork. Further attachments on request.	Flail mower, extension arm boom flail mower, sickle mower (with side or rear ejection), suction container with or without high discharge, road sweeper, self-loading salt spreader. Snow plough, snow blower, dump bucket, twin blade front and/or side mower, front end loader, twin blade mower, rotary disc mower, side-delivery belt rake, front collecting fork. Further attachments on request.
Dead weight (with standard equipment): G6 X: 2,170 kg, G7 X: 2,180 kg Perm. axle load front: 2,100 kg, perm. axle load rear: 2,100 kg; perm. gross weight: 3,400 kg	Dead weight (with standard equipment): H6 X: 2,170 kg, H7 X: 2,180 kg Perm. axle load front: 2,100 kg, perm. axle load rear: 2,600 kg; perm. gross weight: 3,800 kg
3.55 m (with 4 wheel steering)	3.55 m (with 4 wheel steering)



REFORM – your strong partner.

The acknowledged experts in municipal technology, intensive lawn care, mountain agriculture, horticulture and landscaping as well as seed drill construction since 1910. Innovative quality solutions help to preserve a livable environment. We maintain a long term, reliable partnership with our customers. REFORM is your expert for steep slopes, so you experience best possible safety

on extreme terrain. REFORM machines are distinguished by compact design, low dead weight and excellent soil protection. The tried and tested REFORM 4 wheel steering allows formidable agility with the smallest footprint. REFORM is your partner for all year round operation, offering solutions tailored to your requirements.



Your Reform partner

REFORM-WERKE

Bauer & Co Gesellschaft m.b.H.
Haidestrasse 40, A-4600 Wels
FN 139380 x, Landesgericht Wels
Tel. +43 7242 232 0
Fax +43 7242 232 4
www.reform.at
E-mail: info@reform.at

AGROMONT AG

Postfach 142
Bösch 1
CH-6331 Hünenberg
Tel. +41 41 784 2020
Fax +41 41 784 2022
www.agromont.ch
E-mail: info@agromont.ch

