




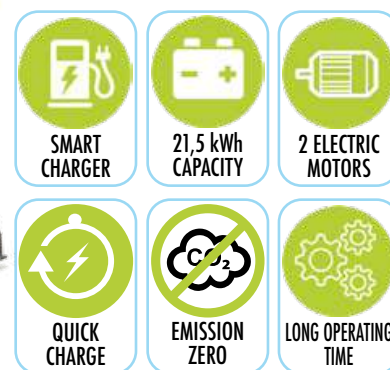
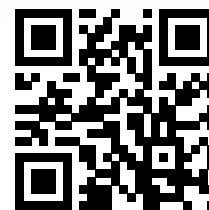


EZ SERIES: EZ8

<http://tiny.cc/EZ8seriesEN>

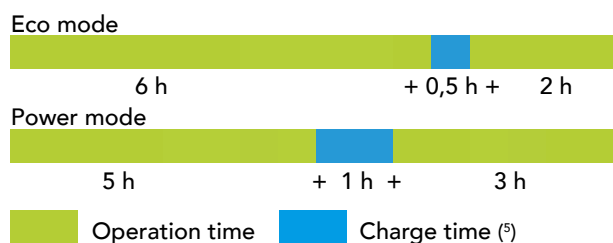
 MAX LIFTING CAPACITY 1420 kg	 BATTERY CAPACITY 21,5 kWh	 SPEED 12 km/h	 FLOW RATE 35 l/min	 LIFT HEIGHT 2,9 m
--	---	---	--	---



Model	EZ 8
Transmission	Hydrostatic
Drive speed (max.) ⁽¹⁾	12 km/h (7.5 mph)
Aux. hydraulics oil flow	35 l/min (9.3 GPM)
Max. lifting height	2,90 m (114 in)
Tipping load, max. ⁽²⁾	1780 kg (3924 lbs)
Lifting capacity straight, max. ⁽³⁾	1420 kg (3130 lbs)
Breakout force / 50 cm	1700 kg (3748 lbs)
Pushing force (c)	2050 kgf (2050 kp)
Average ground pressure (w/standard tires)	958 kg/m ² (196 lbs/sqft)
Turning radius: inside/outside	825/2090 mm (32.5/82.3 in)
Standard tires (Tractor profile)	26X12.00-12 ET-50
Weight	1570 kg (3470 lbs)
Product Code	C963021
EZ8 Pack 1 (ACI with Multi-functions joystick)	C963022

Electric system and battery

Battery type	Lithium-ion
Battery capacity	21,5 kWh
Electric motors	2
Charging system	Integrated charger
Charger type	Sealed single-phase
Charger Input Voltage	110 - 230 ± 10% VAC
Charger Input Frequency	50 ÷ 60 Hz
Charger Absorbed Current	Max. 14 A
Charging Current (230 VAC)	Max. 60 A
Charging Current (120 VAC)	Max. 30 A
Charger plug type	Schuko, CEE 7/7
Charger Protection	Output short-circuit, Inverse polarity

Daily work cycle in hours ⁽⁴⁾

⁽¹⁾ Maximum speed that can be achieved with the largest diameter tires available, on a flat surface and machine without attachments.

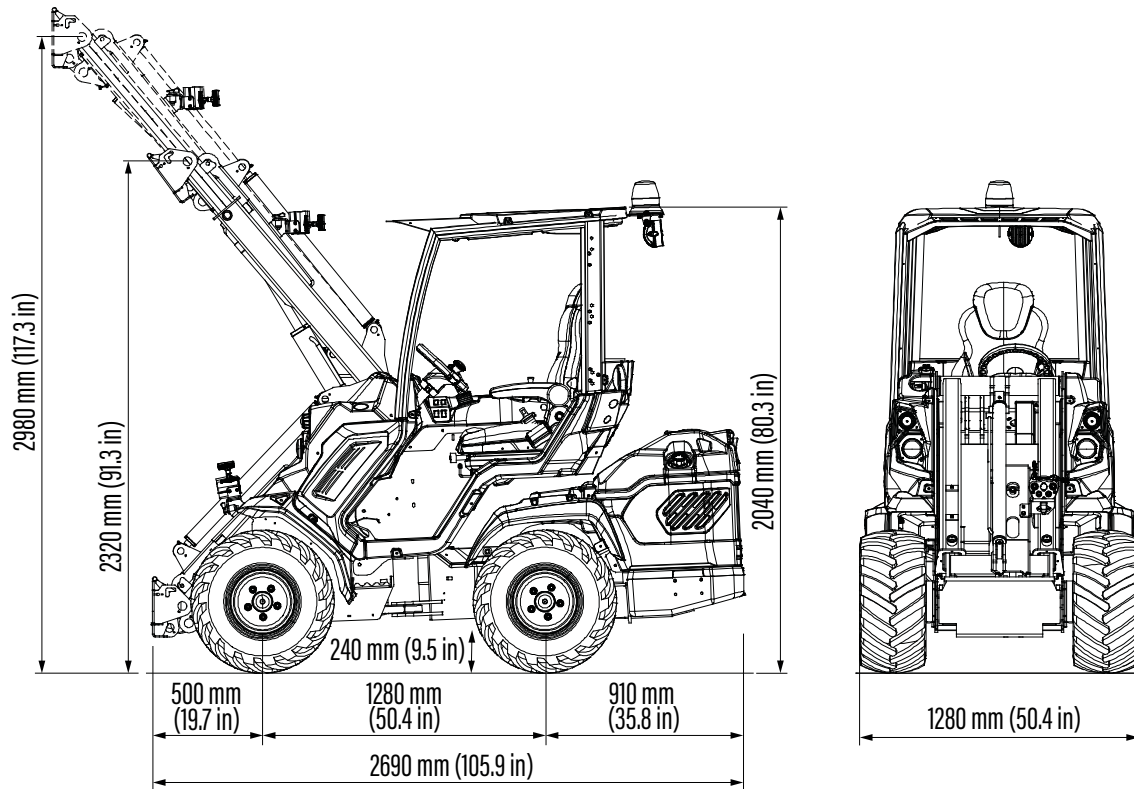
⁽²⁾ Tipping limit, when the machine is straight, with rear weights and boom lifted just off the ground. Weight of attachment included.

⁽³⁾ Maximum load that can be lifted just off the ground when the machine is straight and with rear weights. Weight of attachment is included.

⁽⁴⁾ The operation time of machine varies highly depending on the type of work it is performing.

⁽⁵⁾ With MultiOne Fast Charging Station.

Note: Refer to the Operator's manual for the comprehensive load diagram.



Tires size	Height	Width
23X8.50-12	2020 mm (79.5 in)	1070 mm (42.2 in)
23X10.50-12 ET-25	2020 mm (79.5 in)	1130 mm (44.5 in)
26X12.00-12 ET-50	2040 mm (80.3 in)	1280 mm (50.4 in)
27X8.50-15	2080 mm (81.9 in)	1070 mm (42.1 in)
27X10.50-15	2080 mm (81.9 in)	1150 mm (45.3 in)

FEATURES

- Twin Motors Single Ended Circuits
- LI-ION Battery
- Integrated Smart Battery Charger
- External fast charging station available
- Zero Emission
- Low Noise
- Braking Energy Recovery System
- 4WD hydrostatic Direct Drive motors
- DBS (Dynamic Block System)
- Self-levelling double-H telescopic boom
- ACI with Multi-functions joystick (22 functions) on Pack 1
- Self-locking multi-disk parking brake
- LCD graphic display with programmed service
- 2 front led working light
- Ergonomic full adjustable suspension seat with armrests and seat belt
- Radial piston high efficiency and heavy duty wheel motors
- Hydraulic multiconnector
- ROPS-FOPS Level I

EZ 5 / EZ 8 - FAST CHARGING STATION



QUICK CHARGE



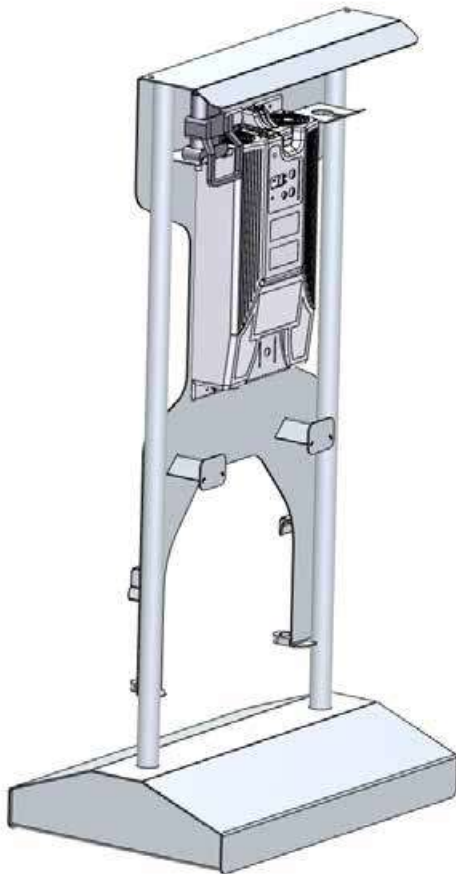
HIGH EFFICIENCY
SAVE ENERGY



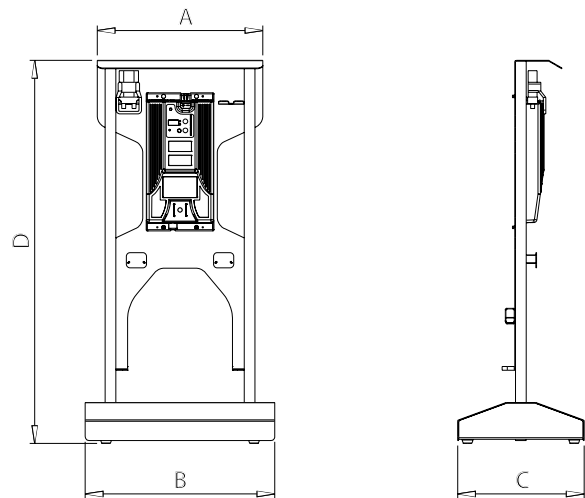
BATTERY CARE



FLEXIBILITY



Models	95A	160A
Input Voltage	400 V ± 15 % - 50/60 Hz	
Nom. Phase Current	9 A	13 A
AC Plug	CEE 16A 400V 3P+T	
Battery Cable (mm ² /in ²)	25 / 0.04	35 / 0.06
Output Voltage	48V	
Output Current	95 A	160 A
Weight	50 kg (110 lbs)	
Product Code	C883809	C883808



Dimensions				
	A	B	C	D
cm	65,5	75	50	151,5
in	25.5	29.5	19.5	60

FEATURES

- Suitable for EZ 5 and EZ 8
- Quick charge. 1 hour charging:
 - EZ 5 - 60% charge (with 95A Fast Charging Station)
 - EZ 8 - 50% charge (with 160A Fast Charging Station)
- CAN bus communication for lithium will ensure efficient and fast charging
- Peak Efficiency: 93%
- LCD display
- Forced air-cooling
- MultiOne coupling plate

EZ 7 / EZ8 - OPTIONS

Options	Code
2" Hitch receiver (not compatible with C883036)	C883062
Automatic coupling plate	C883038
Attachment coupling plate for rear mounting (not compatible with C883036)	C880031
Beacon light	C883039
Biodegradable oil	C883007
Driver area cover	C880049
Fast charging station 160A (EZ8 only)	C883808
Fast charging station 95A (EZ8 only)	C883809
Flat face coupling kit	C880221
Floating boom valve	C883011
GPS tracker	C883075
Left protection bar for operator	C883020
Mirrors	C880081
Multifunction joystick with ACI	C883080
Polycarbonate back window (smart cabin)	C883035
Polycarbonate right side (smart cabin)	C883034
Polycarbonate windscreen (smart cabin)	C883000
Rear bull bar with side extensions (not compatible with C883062, C885014 and C880031)	C883036
Rear side weights 80 kg (40 kg + 40 kg) / 176 lbs (88 lbs + 88 lbs)	C883069
Rear side weights 160 kg (2x40 kg + 2x40 kg) / 352 lbs (2x88lbs+2x88lbs)	C883077
Rear weights 180 kg (90 kg + 90 kg) / 396 lbs (198lbs + 198 lbs)	C880054
Skid tires 27x10.50-15, set of 4	C884012
Skid tires 27x8.50-15, set of 4	C884011
Snow chains for wheels 23x10.50-12, set of 2	C880046
Snow chains for wheels 23x8.50-12, set of 2	C880041
Snow chains for wheels 26x12.00-12, set of 2	C880042
Snow chains for wheels 27x8.50-15, set of 2	C880045
Tie down bracket on wheel hub, set of 4	C883065
Tractor tires 23x10.50-12 ET-25, set of 4	C884007

EZ 7 / EZ8 - OPTIONS

Options	Code
Tractor tires 23x8.50-12, set of 4	C884005
Trailer coupling (not compatible with C883036)	C885014
Turf tires 23x10.50-12 ET-25, set of 4	C884008
Turf tires 23x8.50-12, set of 4	C884006
Turf tires 26x12.00-12 ET-50, set of 4	C884010
Wheel spacer 10 mm (0.4 in), set of 4 (max. 1 pcs for wheel)	C880090
Wheel spacer 55 mm (2.2 in), set of 4 (max. 1 pcs for wheel)	C885010
ACI Upgrade	C090027