

HOLDER

NO COMPROMISES

HOLDER C 250 / C 270 / C 350 / C 370 BENEFITS, FEATURES AND TECHNICAL DATA



HOLDER C 250 / C 270 / C 350 / C 370



2-person cabin



1-person cabin



CABIN

- Comfort cabin with air conditioning and 360° circumferential visibility
- Sliding windows on both sides
- Very spacious even for tall and big drivers
- Air-suspended driver's seat incl. seat-heating, height-adjustable and longitudinally adjustable, with longitudinal-horizontal suspension
- Available with 1-person or 2-person cabin
- 2-person cabin with full-fledged passenger seat – licensed for work application

Perfect view of attachments and maximum working comfort

OPERATING CONSOLE

- Resonating armrest mounted to the seat
- 1-hand operation
- The most important functions are on the joystick including forward/reverse, speed and constant drive control and operation of the control valves
- Drive program control for 4 driving and working steps with limit load control

Intuitive operation allows you to fully concentrate on the work

SERVICE ACCESS

- Hydraulically tiltable engine compartment cover with integrated tipping framework (incl. hitched device)
- Hydraulically tiltable cabin
- Tanks which can be swung out on both sides
- Battery for e.g. jump starting during winter is accessible from the outside

Daily servicing work is possible without disassembling the attachments

FRONT ATTACHMENT

- Front power lift is movable 3-dimensionally and double-acting, with vibration damping, arrester hooks adjustable from KAT IN to KAT I
- Lifting power up to 1100 kg
- Up to 4 double-acting control valves (plug-in couplings are drip-free), of which 3 with floating position
- Up to 80 l/min hydraulic power for the powering of devices
- Mechanical PTO shaft

REAR ATTACHMENT

- Double-acting rear power lift with vibration damping, arrester hooks are adjustable from KAT IN to KAT I
- Lifting power up to 1100 kg
- Up to 2 double-acting control valves (plug-in couplings are drip-free)
- Up to 80 l/min hydraulic power for the powering of devices
- Hydraulic PTO shaft





OTHER BENEFITS

- Frame based construction
- Hydrostatic drive via 4 wheel motors
- 2-stage steering for more direct steering ratio, e.g. when shunting
- Spring mounted front and rear axles
- Engine air and cooling air induction from the top
- Cabin can be assembled at 3 different heights, for different tyres
- Fresh air for cabin
- Corrosion protection: all steel components are EPD-coated, plug-in couplings in ZINi, vehicle is waxed
- Transport speed up to 40 km/h
- Official approval and homologation for road service



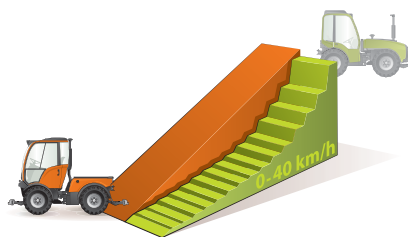
3 ATTACHMENT AREAS

- 2 standardised attachment areas (front and rear lift) as well as 3rd attachment area for hitching devices
- 1-person device mounting without tools



STEPLESS DRIVING UP TO 40 KM/H

- No traction interruptions
- Transport: automotive driving via foot pedal
- Working: speed control via rotary potentiometer on the joystick
- Alternatively, speed control via foot pedal at constant PTO shaft speed = SDS traction drive



ELECTRO-HYDRAULIC ATTACHMENT RELIEF

- Weight of the attachment can be transferred to the entire vehicle steplessly
- Due to the electro-hydraulic control, the composition of the soil is maintained optimally
- More traction on inclinations and for slippery ground, protection of the device (e.g. mulching), increased stability when turning around on a hillside



UNIQUE TECHNOLOGY

- Articulated steering
- Permanent four-wheel drive
- 4 equal-sized wheels
- Wheel load compensation
- Mechanical differential lock acting on both axles

For more info and user videos, visit www.max-holder.com

WIDE RANGE OF APPLICATION

- Mowing and grass-collecting
- Cylinder mowing and large area mowing
- Rotary and flail mulching
- Weed removal
- Scarifying and aeration
- Watering and high-pressure cleaning
- Sweeping and suction cleaning
- Lawn sweeping and synthetic turf cleaning
- Earth handling (front loader)
- Loading and transport
- Snow ploughing and snow blowing
- Snow sweeping and snow loading
- Salt spreading (with attachment, box or funnel spreader)
- Cross-country ski tracks

FIELDS OF APPLICATION:

- Green areas and synthetic turf
- Sports grounds and golf courses
- Sidewalks, roads and public open spaces
- Underground car parks and rails

SECTORS:

- Municipalities and service providers
- Facility management
- Horticulture and landscaping
- Airports and military

With your Holder vehicle, you are able to carry out up to 3 applications at the same time!

WITH US, YOU ARE IN GOOD HANDS

- 24 months guarantee
- 24-hour delivery of spare parts
- More than 15 years spare parts supply
- Close service network and local partners
- Long service life
- High stability of value
- Rental, financing and leasing
- Europe-wide homologation

SEE HOLDER IN ACTION:

www.youtube.com/user/maxholdergmbh

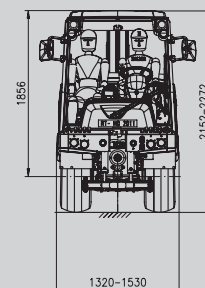
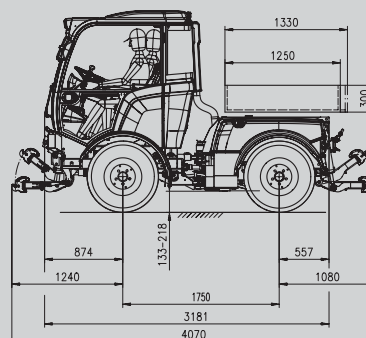
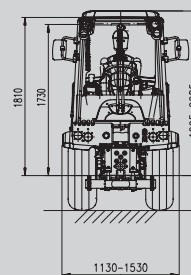
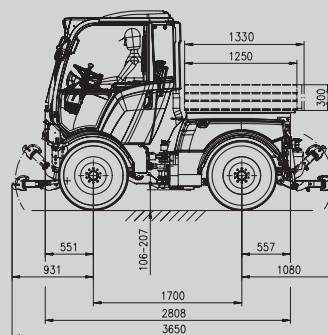
TECHNICAL DATA C 250/C 270 / C 350/C 370

C 250/C 270 = 1-person cabin

C 350/C 370 = 2-person cabin

ENGINE	C 250/350: Kubota 4-cylinder 4-stroke diesel C 270/370: Kubota 4-cylinder 4-stroke turbo diesel
Displacement	2615 cm ³
Power	C 250/350: 36.5 kW (50 HP) C 270/370: 49.2 kW (67 HP)
Torque	C 250/350: 167.5 Nm C 270/370: 217.0 Nm
Cooling	Water cooling.
Air filter	Dry air filter with acoustic warning unit.
Fuel tank capacity	65 l
Alternator	Max. 90 A / 12 V
DRIVE	Hydrostatic traction drive. Controlled digital-electrically. Stepless road speed control. Permanent four-wheel drive. 4 wheels of the same size. Suspended front and rear axle.
Differential lock	Mechanical at the front and rear. Simultaneously switchable electrohydraulically. Acts on both axles at 100%.
Top speed	40 km/h
PTO shafts	Optional: power-switchable, independent PTO shaft. Can be switched separately at the front and rear. Front: mechanically powered, 1000 r/min or optionally 540 r/min. Rear: hydraulically powered, 540 r/min
Brakes	Hydraulically actuated drum brake on the front axle. Acts on all 4 wheels as four-wheel brake via the hydrostatic traction drive. Electrically actuated stop brake on the front axle.
HYDRAULICS	Hydraulic pump 34 l/min. Optionally extendable with additional device variable displacement pump 80 l/min. Or: tandem pump 25 l/min + 60 l/min.
Hydraulic oil quantity	38 l
Lifting force	Front 1100 kg/rear 1100 kg
Three-point lift	Standard three-point. Arrester hook steplessly adjustable from KAT IN to KAT I.
Additional control valves	High expandability, adapted for the purpose.
CABIN	Comfort 1- or 2-person cabin. Mechanically suspended driver's seat. Resonating multi-function arm rest. 2-person cabin with full-fledged passenger seat.
Optional additional equipment	Air-suspended driver's seat incl. seat-heating. Heated front window and exterior rear-view mirror. Air conditioning and activated carbon filter.

WEIGHT	Including driver at 75 kg, depending on tyres and equipment.	
	1-person cabin:	2-person cabin:
Empty weight	1791-2194 kg	1979-2382 kg
Permissible total weight	3500 kg	
Permissible axle load	Front 2300 kg/rear 2300 kg	
Tow bar load on the trailer coupling	Max. 600 kg	
Towing capacity	Unbraked 1500 kg/ overrun braked 3500 kg	
Maximum payload	1709 kg	1521 kg
DIMENSIONS	Depending on tyres and cabin mounting.	
	1-person cabin:	2-person cabin:
Wheel base	1700 mm	1750 mm
Total length	2808-3650 mm	3181-4070 mm
Total height	1995-2285 mm	2152-2272 mm
Total outer width	1130-1530 mm	1320-1530 mm
Turning circle	Inside 1390 mm	Inside 1440 mm
Inner flatbed dimensions	1250 x 1060 x 300 mm or 1330 x 1260 x 300 mm	



Optimum guidance, sales and service at your Holder partner:

Max Holder GmbH
Max-Holder-Straße 1 | D-72555 Metzingen | Germany
Phone: +49 7123 966-0 | Fax: +49 7123 966-213
info@max-holder.com | www.max-holder.com